

### DESCRIPTION

The LPX-CP4 Series backlit LED panels offer superior performance in an adjustable, energy-efficient low-profile design. It is available in 1' x 4', 2' x 2' and 2' x 4' configurations and provides flexibility while minimizing inventory by simply adjusting both CCT and wattage. The CCT can easily be switched between 3000K, 3500K, 4000K and 5000K. The wattage can be adjusted between 20W-30W-40W for the 1' x 4' and 2' x 2' configurations and 30W-40W-50W for the 2' x 4' configuration. This series is ideal for office spaces, schools, hospitals, and any indoor location that requires even illumination and lower maintenance. The LPX-CP4 Series is compatible with most standard T-bar grid ceilings, includes 0-10V dimming standard and features PMMA optical lensing that will not yellow over time. DesignLights Consortium® (DLC) Qualified for energy rebates. All panels are packaged in a quantity of four.

### SPECIFICATIONS

#### Construction:

- Cold rolled carbon steel enclosure in a white finish
- Aluminum frame with seamless corners
- Recessed design fits most standard T-bar grid ceilings, only 1.4" thickness
- Backlit design, LEDs sit at the back of the enclosure aimed directly at the diffuser to evenly illuminate the entire surface of the panel
- Sturdy frame prevents warping due to the slightly more elevated profile

#### Optics/LEDs:

- Switchable between four color temperatures: 3000K, 3500K, 4000K and 5000K CCT. Switch located outside driver box behind the unit
- For panels with non-switchable CCT see the [LPX Series](#).
- CRI ≥80
- Efficacy up to 122 lumens per watt
- L70 > 50,000hrs
- UV-stabilized PMMA optical lenses over the LEDs that will not yellow over time

#### Electrical:

- Universal 120-277VAC, 50/60Hz
- Power Factor > 0.90
- 0-10V Dimming driver
- Power switchable, 1' x 4' and 2' x 2' configuration between 20W, 30W and 40W, 2' x 4' configuration between 30W, 40W and 50W. Switch located outside driver box behind the unit

#### Testing & Compliance:

- cULus Listed for Damp Locations, IC rated for insulated ceilings
- IP20 Rated
- DesignLights Consortium® (DLC) Qualified
- Operating temperatures: -20°C to 40°C (-4°F to 40°C)

#### Accessories:

- Bluetooth PIR motion sensor with daylight harvesting, white finish, 12VDC ([LE-MS-ECO3](#))
- Bluetooth fixture controller, 120-277VAC, 60Hz, 6A Max ([LE-C1](#))
- Bluetooth wall switches ([LE-SWX](#))
- Optional surface mount kit (LPX-14-SMK, LPX-22-SMK and LPX-24-SMK)
- Optional flange mount kit (LP14-FMK, LP22-FMK and LP24-FMK)
- Suspension mount kit (LPX-CMK)
- Field-installed battery packs available for emergency egress lighting ([LBDX Series](#))
- Field-installed 6' Metal clad whip (6 conductor, #18, for use in dimming applications)

Model: \_\_\_\_\_ Date: \_\_\_\_\_  
 Accessories: \_\_\_\_\_  
 Job Name: \_\_\_\_\_ Type: \_\_\_\_\_



Specs at a Glance		* Nominal Wattage (Switchable)	
Configuration	LPX-14-CP4	LPX-22-CP4	LPX-24-CP4
CCT (K)	3000K-3500K-4000K-5000K (Switchable)		
Wattage (W)*	20W-30W-40W (Switchable)		30W-40W-50W (Switchable)
Lumens (lm)	2,450 - 4,216	2,415 - 4,243	3,600 - 5,492
Efficacy (LPW)	Up to 122	Up to 120	Up to 120
CRI	≥80		
Input Voltage	120-277VAC, 50/60Hz, 0-10V Dimmable		
Operating Temp	-20°C to 40°C (-4°F to 104°F)		
Certifications	cULus Listed for Damp Locations, IC Rated, DLC		
Warranty	5 Years		

#### Installation:

- Unit simply lifts through grid ceiling and rests on T-bars
- Easy installation in new construction or retrofit
- Standard recessed mounting in most 1' x 4', 2' x 2' or 2' x 4' grid ceilings
- Earthquake clips included
- Easily set wattage and CCT during installation using the adjustment switches located outside the driver box

#### Warranty:

- Five Year Warranty (Terms and Conditions Apply)

**Ordering Information** (Example: LPX-22-CP4)

Model	Description
LPX-14-CP4 <sup>1</sup>	LED Flat Panel, 1' x 4' Backlit, Power Switchable 20W/30W/40W, Color Switchable 3000K/3500K/4000K/5000K CCT, 120-277VAC
LPX-22-CP4 <sup>1</sup>	LED Flat Panel, 2' x 2' Backlit, Power Switchable 20W/30W/40W, Color Switchable 3000K/3500K/4000K/5000K CCT, 120-277VAC
LPX-24-CP4 <sup>1</sup>	LED Flat Panel, 2' x 4' Backlit, Power Switchable 30W/40W/50W, Color Switchable 3000/3500K/4000K/5000K CCT, 120-277VAC

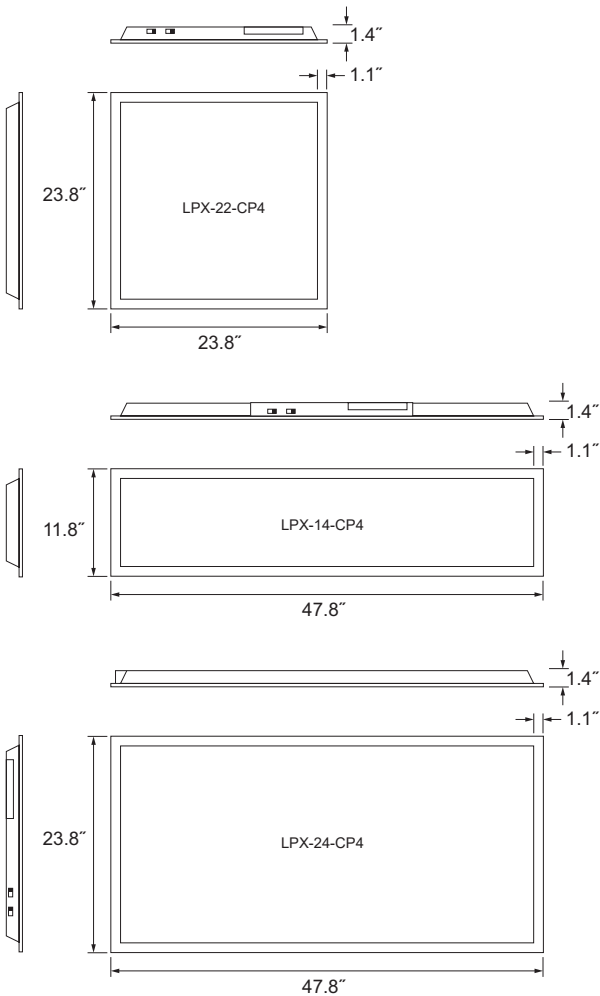
LiteLogic Accessories <sup>2</sup> (Field installed)	Accessories <sup>2</sup> (Field Installed)
LE-MS-ECO3 = Bluetooth PIR Motion Sensor with Daylight Harvesting, White Finish, 12VDC (1 Per Room)	LBDX-5-CP-C <sup>3,4</sup> = 5W Constant Power Emergency LED Driver
LE-C1 = Bluetooth Fixture Controller, 120-277VAC, 60Hz, 6A Max (1 Per Fixture)	LBDX-10-CP-C <sup>3,4</sup> = 10W Constant Power Emergency LED Driver
LE-SW2 = Bluetooth Enabled, 5-Button, Battery Powered Wall Switch	LBDX-13-CP-C <sup>3,4</sup> = 13W Constant Power Emergency LED Driver
LE-SW3 = Bluetooth Enabled, 3-Button, Line Voltage Wall Switch (Neutral Required)	LP-EMBKT <sup>5</sup> = Bracket Accy to Mount LBDX Emergency Driver
LE-SW4 = Bluetooth Enabled, 7-Button, Line Voltage Wall Switch (Neutral Required)	LPX-CMK = Y Cable Suspension Mount Kit
LE-WP = Wallplate for LE-SW2	LP14-FMK = 1' X 4' Flange Mount Kit
	LP22-FMK = 2' X 2' Flange Mount Kit
	LP24-FMK = 2' X 4' Flange Mount Kit
	LPX-14-SMK = 1' x 4' Surface Mount Kit
	LPX-22-SMK = 2' x 2' Surface Mount Kit
	LPX-24-SMK = 2' x 4' Surface Mount Kit
	MC6-6 = Metal Clad 6' (6 Conductor) #18 Leads Whip (For Dimming Applications)

**Notes**

- <sup>1</sup> Panels are packaged in quantity of four (4pcs/carton)
- <sup>2</sup> Order as a separate line item. Shipped in a separate box for final installation in the field
- <sup>3</sup> See page 3 for battery pack lumen output. Not compatible with LPxx-SMK. Default CCT in battery backup mode is 5000K
- <sup>4</sup> Consult [LBDX spec sheet](#) for more details on battery pack, must be remote mounted
- <sup>5</sup> Not compatible with LPX-xx-SMK or LPXX-FMK kits. Only compatible with 2x2 and 2x4 units

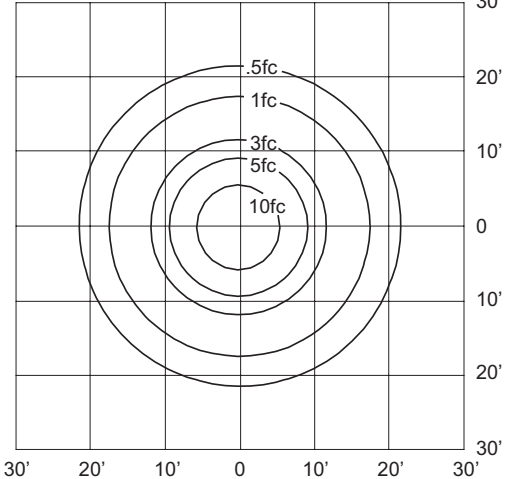
For non-switchable panels, see the [LPX Series](#)

**Dimensions**

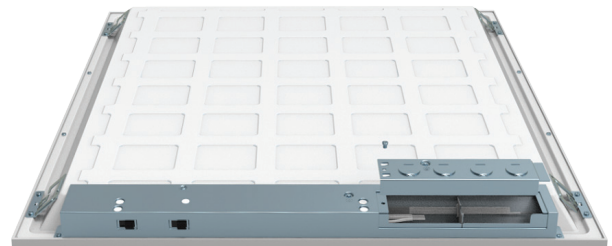


**Sample Photometry**

**LPX-24-CP4: 50W, 5000K CCT**  
 IES: TYPE VS Very Short  
 MOUNTING HEIGHT: 10'  
 TILT: ZERO  
 HORIZONTAL SPACING CRITERIA: ??



**Driver Box Detail**

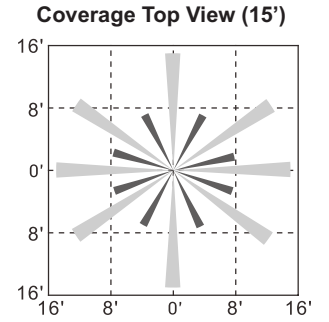
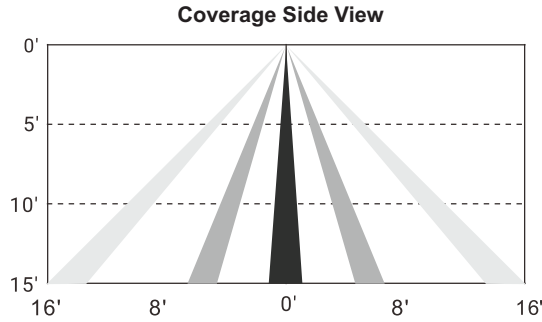


Specifications are subject to change without notice.  
 Installation must be performed in accordance with  
 Barron Lighting Group installation instructions.

**Lumen Output Summary for LBD Battery Pack Accessories** (Consult LBDX spec sheet for more details. [Click Here](#))

LBDX Battery Packs With LPX-CP4 Series:			LBDX-5-CP-C	LBDX-10-CP-C	LBDX-13-CP-C
Model	Unit Lumens	Unit Wattage	Battery Backup Lumens		
LPX-14-CP (20w, 5K)	2450	20	540	1080	1404
LPX-14-CP (30w, 5K)	3390	30	508	1017	1322
LPX-14-CP (40w, 5K)	4350	40	508	1017	1322
LPX-22-CP (20w, 5K)	2450	20	540	1080	1404
LPX-22-CP (30w, 5K)	3390	30	508	1017	1322
LPX-22-CP (40w, 5K)	4380	40	504	1008	1310
LPX-24-CP (30w, 5K)	3600	30	540	1080	1404
LPX-24-CP (40w, 5K)	4520	40	508	1017	1322
LPX-24-CP (50w, 5K)	5595	50	499	999	1298

**Sensor Details - Bluetooth Enabled (Accessories LE-MS-ECO3 & LE-C1)** [Click here for sensor details](#)



SEE APP FOR  
SENSOR SETTINGS

For a complete list of LiteLogic compatible products, [click here](#).



Get it from the  
App Store



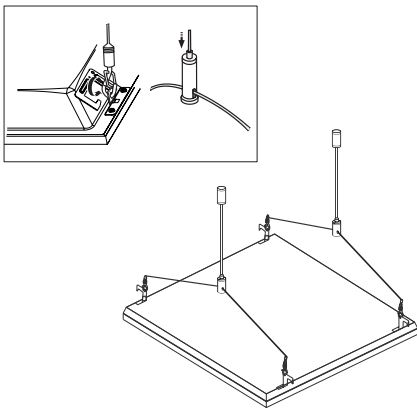
Get it from  
Google Play



**Note:** Bluetooth sensor controls do not allow for CCT selection using the app. CCT must be manually selected on the fixture.

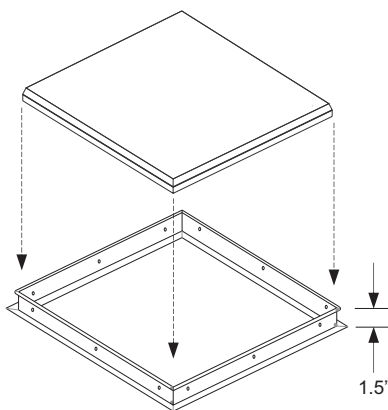
**Cable Mount Kit (LPX-CMK)**

Optional Y cable mounting kit (LPX-CMK) allows for suspended installations from any ceiling type. (2 pcs/kit, 3.2' length)



**Flange Mount Kit (LPXX-FMK)**

Optional flange kit (LP14-FMK, LP22-FMK, LP24-FMK) mounts above drywall ceiling, allows panel to be mounted flush to ceiling.



**Surface Mount Kit (LPX-XX-SMK)**

Optional surface mount kit (LPX-14-SMK, LPX-22-SMK, LPX-24-SMK) allows for installation on plaster or other hard ceilings.

