

# WSX SERIES Outdoor Lighting

WSX-20-40W-MCTP-HDA  
DECORATIVE HORIZONTAL ARM

**MCTP** Multi Color Temperature & Multi Power/Wattage (Selectable)



LED Seaside Outdoor Wall Lantern with aluminum housing & powder-coated finish, acrylic diffuser. Ideal for general site lighting, residential buildings, doorway, pathway and parking areas.

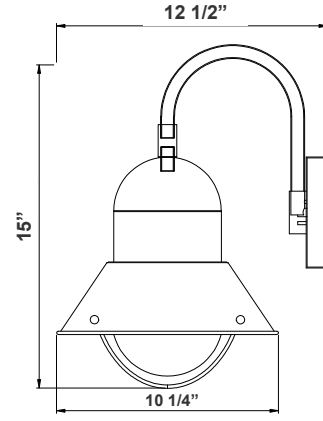
**WESTGATE**  
THE FUTURE IS HERE...AND IT'S QUITE BRIGHT!

Customer Name: \_\_\_\_\_

Project Name: \_\_\_\_\_

Note: \_\_\_\_\_

Type: \_\_\_\_\_



10 1/4"(W) x 15"(H) x 12 1/2"(D)

## Features

- Aluminum Housing and Steel Back Plate
- White Glass Lens
- 7-Year Warranty
- Multi CCT Power Switch is Inside Fixture

## Technical Specifications

### Electrical:

- Voltage: 120-277V AC 60Hz
- Wattage: 20W/30W/40W
- Power Factor: >0.90
- Efficacy: 100 LPW

### Mechanical:

- Aluminum Housing and Steel Back Plate
- White Glass Lens
- Operating Temperature: -4°F to 104°F
- Wet Location
- 7-Year Warranty
- IP42, Suitable for outdoor use

### Lighting:

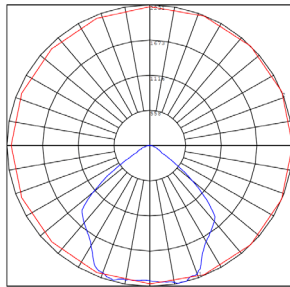
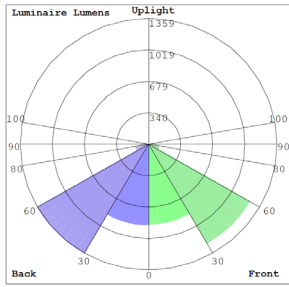
- Dimming: Dimming: (Dual Function) Triac Dimmable at 120V & 0-10V Dimming at 120-277V
- Total Lumens: 4000LM Max.
- Color Temperatures: 3000K/4000K/5000K
- Color Rendering Index: CRI ≥ 80
- Beam Angle: 90° x 110°
- Rated life: 70,000 Hrs

### Applications:

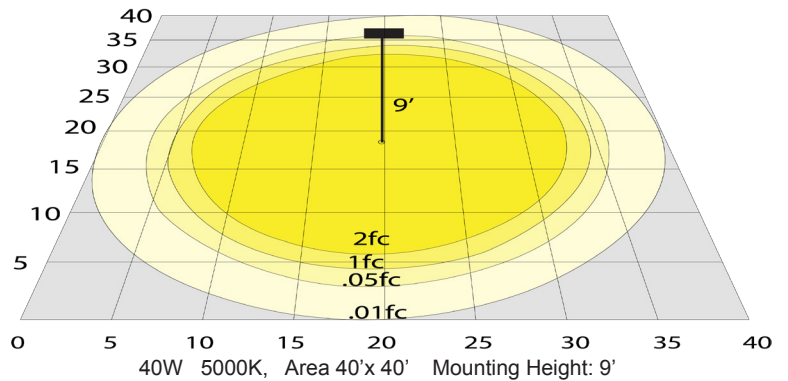
- LED Seaside Outdoor Wall Lantern with aluminum housing & powder-coated finish, acrylic diffuser. Ideal for general site lighting, residential buildings, doorway, pathway and parking areas.



## Photometrics: WSX-20-40W-MCTP-HDA



BUD Rating: B2-U1-G1



## Other Views:



Side View



Lens View



Back View

## Performance Table: WSX-20-40W-MCTP-HDA

MODEL NO.	Wattage	Voltage	Lumens	Color Temp.	BUG Ratin	LPW
WSX-20-40W-MCTP-HDA	20W 30W 40W	120-277V	2000LM 3000LM 4000LM	3000K 4000K 5000K	B2-U1-G1	100

## Sample Ordering

Model	Min. Watt	Max. Watt	Color Temp.	Housing	Size
WSX	20	40W	MCTP	HDA	

### Accessories:

Blank = No Option For Accessories  
 WSX-RL-WH = WSX Original White Lens Replacement (Default Lens)  
 WSX-RL-FR = WSX Optional Frosted Lens  
 WSX-RL-AB = WSX Optional Alabaster Lens

### Factory-Installed Options:

Blank = No Option For Accessories  
 OPT-WSX-WG = Factory-Installed Wire Guard  
 OPT-PC-BUM = Button Photocell  
 OPT-EM-WSX = Factory-Installed EM with Back Box  
 OPT-SEN-WSX = Factory-Installed BI-Level Motion Sensor Installed with Back Box

### ACCESSORIES:



WSX-RL-WH

WSX-RL-FR

WSX-RL-AB

### FACTORY-INSTALLED OPTIONS:



OPT-PC-BUM

OPT-WSX-WG



OPT-EM-WSX

OPT-SEN-WSX

Back Box Dimensions: 7" x 1.6"

