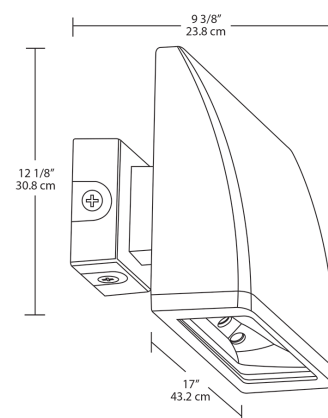


# WPLED104

104W LED wallpack designed to replace 400W metal halide while using 75% less energy. 3 cutoff options. Patent Pending thermal management system. 100,000 hour L70 lifespan. 5 Year Warranty.

Color: Bronze

Weight: 26.0 lbs



## LED Info

Watts: 104W  
 Color Temp: 5100K (Cool)  
 Color Accuracy: 70  
 L70 Lifespan: 100000  
 LM79 Lumens: 8,902  
 Efficacy: 79 LPW

## Driver Info

Type: Constant Current  
 120V: 0.95A  
 208V: 0.59A  
 240V: 0.51A  
 277V: 0.44A  
 Input Watts: 113W  
 Efficiency: 92%

## Technical Specifications

### UL Listing:

UL Suitable for Wet Locations as Uplight and Downlight Wall Mount Only.

### IP Rating:

Ingress Protection rating of IP66 for dust and water.

### LEDs:

Four multi-chip, high-output, long-life LEDs.

### Lifespan:

100,000-hour LED lifespan based on IES LM-80 results and TM-21 calculations.

### Driver:

Constant current, Class 1, 100-277V, 50/60 Hz, 4kV Surge Protection, 700mA, 100-277V = 0.95A, Power Factor 99.2%.

### THD:

5.7% at 120V, 10.4% at 277V

### Input Watts:

113W

### Output Lumens:

8902

### Fixture Efficacy:

79 Lumens per Watt

### Color Accuracy (CRI):

70 CRI

### Correlated Color Temp. (Nominal CCT):

5100K

### Cold Weather Starting:

Minimum starting temperature is -40°F / -40°C.

### Ambient Temperature:

Suitable for use in 40°C (104°F) ambient temperatures.

### Thermal Management:

Superior thermal management with external Air-Flow fins.

### Housing:

Precision die-cast aluminum housing, door frame arm and wall bracket.

### Mounting:

Die-cast aluminum wall bracket with (5) 1/2" conduit openings with plugs. Two-piece bracket with tether for ease of installation and wiring.

### Arm:

Die-cast aluminum with wiring access plate.

### Cutoff Options:

WPLED104 can be mounted as a full cutoff (0°), cutoff (7.5°), standard (15°).

### Lens:

Tempered glass.

### Reflector:

Specular vacuum metallized polycarbonate.

### Gaskets:

High-temperature silicone.

### Finish:

Our environmentally friendly polyester powder coatings are formulated for high-durability and long-lasting color, and contains no VOC or toxic heavy metals.

### Color Consistency:

7-step MacAdam Ellipse binning to achieve consistent fixture-to-fixture color.



WPLED104 - continued

**Color Stability:**

LED color temperature is warranted to shift no more than 200K in CCT over a 5 year period.

**Equivalency:**

The WPLED104 is Equivalent in delivered lumens to a 400W Metal Halide Wallpack.

**Color Uniformity:**

RAB's range of CCT (Correlated Color Temperature) follows the guidelines of the American National Standard for Specifications for the Chromaticity of Solid State Lighting (SSL) Products, ANSI C78.377.2011.

**Green Technology:**

Mercury and UV free, and RoHS compliant.

**IESNA LM-79 & LM-80 Testing:**

RAB LED Luminaires have been tested by an independent laboratory in accordance with IESNA LM-79 and LM-80, and have received the Department of Energy "Lighting Facts" label.

**Patents:**

The design of the WPLED104 is protected by patents pending in US, Canada, China, Taiwan and Mexico.

**Warranty:**

RAB warrants that our LED products will be free from defects in materials and workmanship for a period of five (5) years from the date of delivery to the end user, including coverage of light output, color stability, driver performance and fixture finish. See our full warranty .