

# SYLVANIA Lamps

## TruWave™ Microdisk Selectable

### Application

The SYLVANIA TruWave Microdisk Selectable is a LED downlight with an integrated junction box. This product operates at 120V<sub>AC</sub> and comes with 2 installation options. The first option is hardwired for canless installation, ideal for new or remodel construction. The second option is a screw based E26 adapter for recessed can installation.

### Benefits and Features

- 5 CCT selectable enabled through a switch located on the junction box
- IC Rated
- Wet Rated
- Offered in 10 or 14 Watts
- TruWave Technology
- Even light distribution
- High CRI >90
- Energy savings up to 86%

### Electrical

- 120V<sub>AC</sub>
- Power factor >0.9
- Dimmable

### Rated Life

- 50,000 hours (L<sub>70</sub>)

### Warranty

- 5 years
- NLB Trusted Warranty Program

### Ambient Operating Range

- -13°F to 113°F (-25°C to 45°C)



### Wattage Comparison

Traditional Source	Traditional System Wattage	LED System Wattage	Energy Savings
Incandescent	65W	10W	85%
Incandescent	100W	14W	86%

### Certifications and Listings

- cETLus
- RoHS
- FCC
- ENERGY STAR®
- California Title 24 Certified

### Installation

- E26 Screw-based Adapter
- Hardwire Pigtail
- 4" – Spring Clips (Canless) and Leaf Springs (Recessed Can)
- 6" – Spring Clips (Canless) and Torsion Springs (Recessed Can)



## Specification Data

Catalog #	Type
Project	
Comments	
Prepared by	

### Ordering Guide

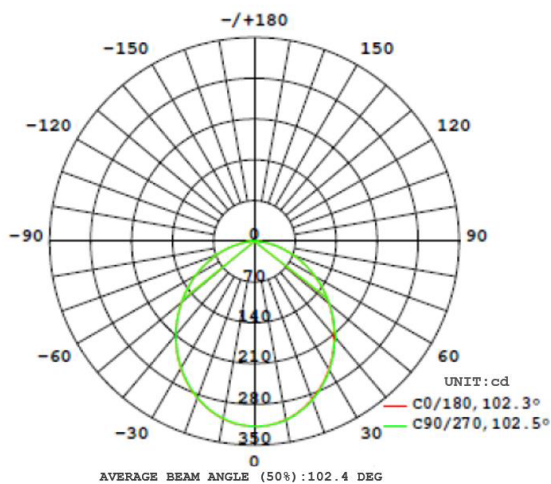
LEDMD	XR	XXXX	S	T	9	SC3	TW
Product Name	Size	Lumens	Input Voltage	Dimming	CRI	Selectable Color Temperature	TW = TruWave Technology™
LED Microdisk	4R = 4 inches 6R = 6 inches	800 = 800lm 1200 = 1200lm	S = Single Voltage 120	T = (Triac) Phase-cut dimmable	9 = >90	2700K/3000K/ 3500K/4000K/ 5000K	

### Ordering Information

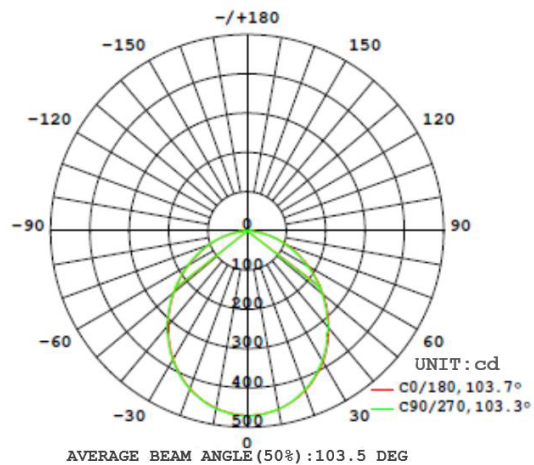
Item Number	Ordering Abbreviation	Power (W)	Base Type	Replaces	Input Voltage	Average Rated Life (hrs)	CCT	Typical Lumens (lm)	CRI	LPW	Dimming	Case Qty	ENERGY STAR®
62881	LEDMD4R800ST9SC3TW	10	E26, Hardwire	65W	120V	50,000	2700K/3000K/3500K/ 4000K/5000K	800	>90	80	Phase-Cut	4	Yes
62882	LEDMD6R1200ST9SC3TW	14	E26, Hardwire	100W	120V	50,000	2700K/3000K/3500K/ 4000K/5000K	1200	>90	85	Phase-Cut	4	Yes

### Photometric Data

4 inch



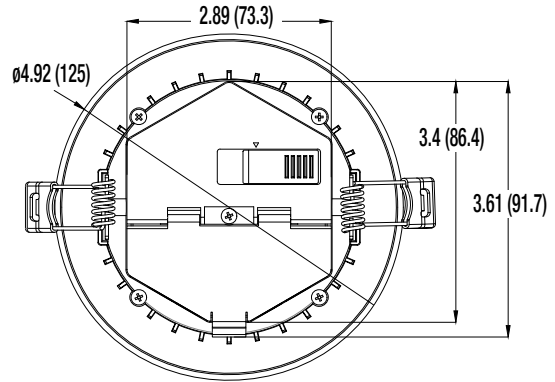
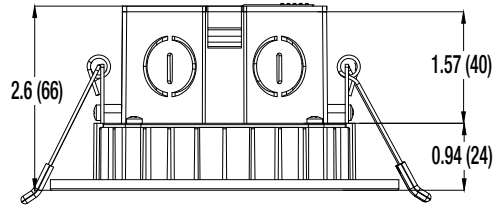
6 inch



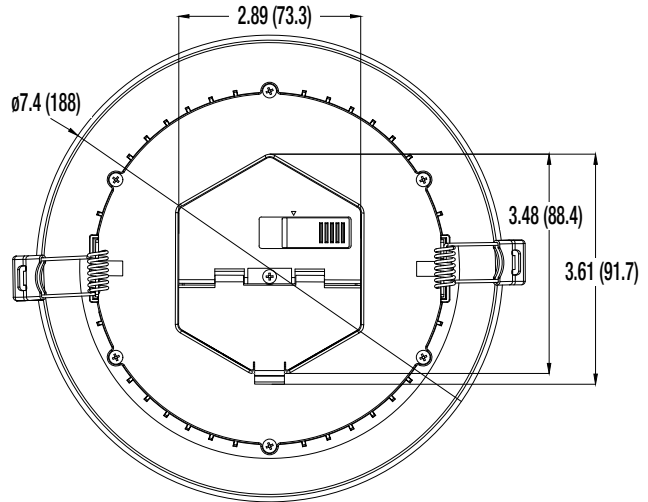
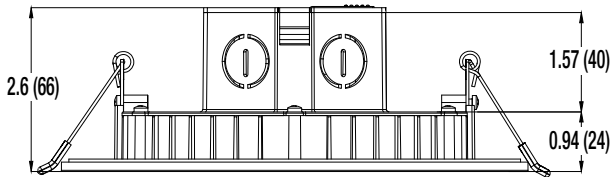
## Physical Information

Luminaire Description	(A) MOL inches (mm)	(B) Diameter inches (mm)
LEDMD4R800ST9SC3TW	4.92 (125)	2.6 (66)
LEDMD6R1200ST9SC3TW	7.4 (188)	2.6 (66)

### MD4

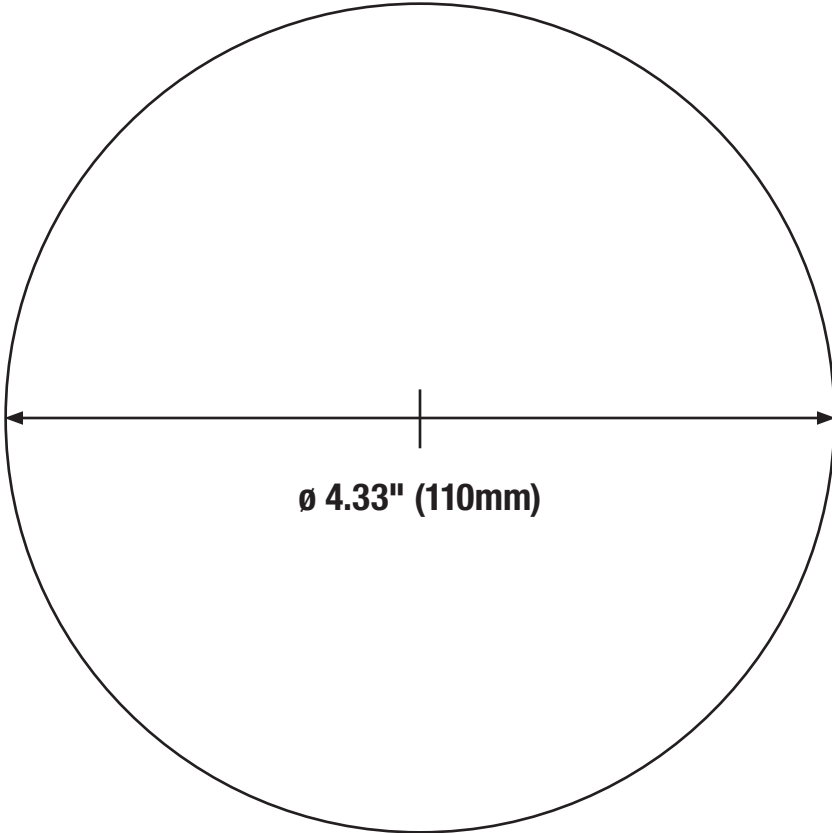


### MD6



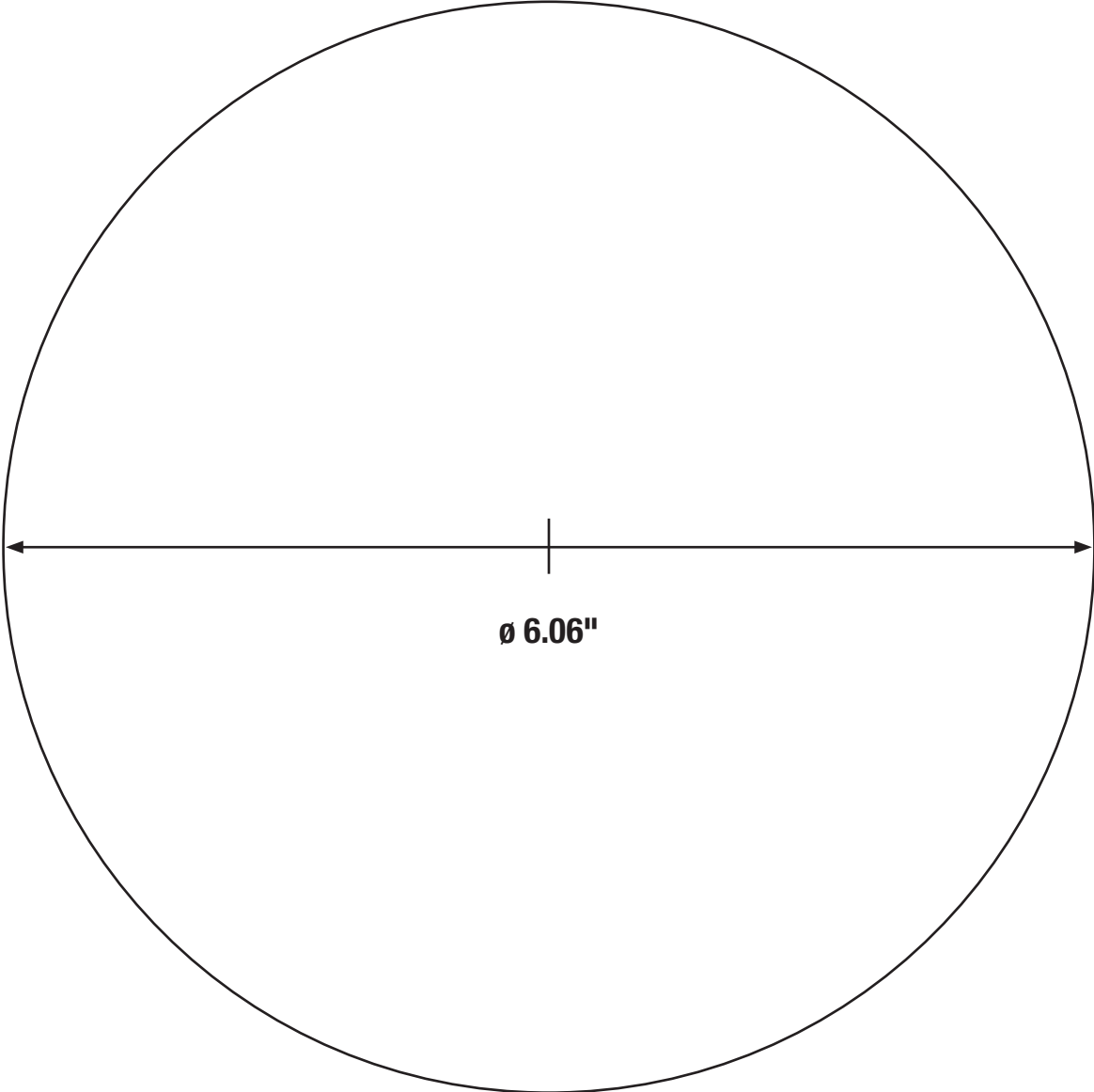
Hole Cut Templates

MD4 Hole Cut Template



Hole Cut Templates

RT6 Hole Cut Template



### Additional Specifications

- Suitable for indoor and outdoor, dry, and wet applications.
- Not intended for use with emergency light fixtures or exit lights.
- For use in housings that can structurally support a lamp weighing one pound.

LEDVANCE LLC  
181 Ballardvale Street, Suite 203  
Wilmington, MA 01887 USA  
Phone 1-800-LIGHTBULB (1-800-544-4828)  
[www.ledvanceUS.com](http://www.ledvanceUS.com)

SYLVANIA and LEDVANCE are registered trademarks.  
All other trademarks are those of their respective owners.  
Licensee of product trademark SYLVANIA in general lighting.  
Specifications subject to change without notice.

 /sylvania  /sylvania

