

LED Step Light with Motion Sensor & Photocell



Project: _____

Location: _____

Model: _____ Qty: _____

Notes: _____

DESCRIPTION

Step Light with integrated Motion Sensor & Photocell
 Hi light stairs, walls, walkways, hallways
 Occupancy sensor turns ON in low light only and when motion is detected and will turn OFF after 1 minute when no motion detected

FEATURES & BENEFITS

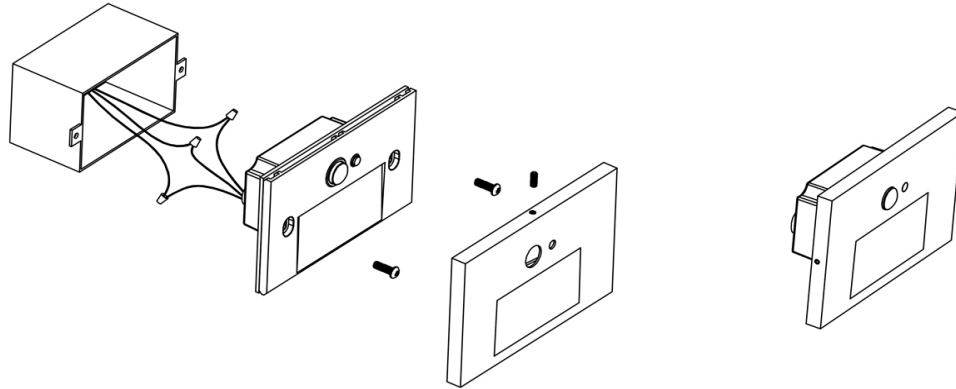
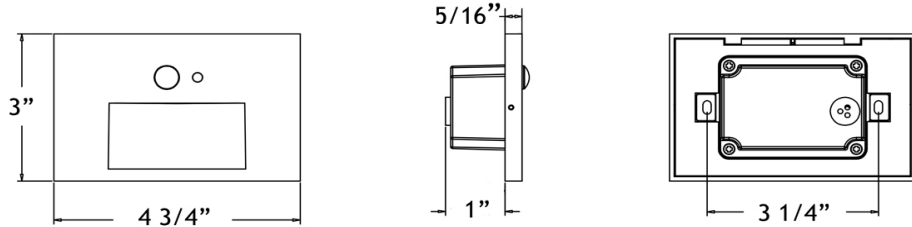
2.5W total power consumption
 No remote driver needed
 Fits into 2" x 4" junction box
 ETL listed for wet locations
 Indoor & Outdoor Use

SPECIFICATION	
Applications	Stairways, Walkways, Patios, Decks
Energy Used (W)	2.5 W
Color Temperature (K)	3000 K
Light Output (lm)	80 lm
Halogen Equivalent	10 W
CRI	90 +
Input	120 V AC
Dimming	Not dimmable
Ambient Temperature	-4°F (-20°C) to +104°F (+40°C)
Approved Location	Wet & Dry
Projected Life	70% Light Output at 50,000 Hours
Certification	cETLus
Warranty	5 Year

DIMENSIONS

4 3/4" x 3"

Faceplate Thickness
 5/16"



ORDERING GUIDE

LSD03-3K-WH 3000K White Trim

LSD03-3K-BK 3000K Black Trim

Other Light and Trim Colors Available
 By Custom Order

Trim Options



White



Black