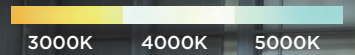


HIGH VOLTAGE, LED
TECHNOLOGY AND
ADVANCED FEATURES
MAKE THIS THE LAMP
OF CHOICE FOR LARGE
SCALE APPLICATIONS



ColorQuick™
Selectable Color Technology

Switch to/from the following CCT



**CCT SELECTABLE—3000K,
4000K, 5000K**

**277-347V AND
277-480V OPTIONS**

**SENSOR PORT ON ALL 480
VOLT VERSIONS**

ENCLOSED FIXTURE RATED

**ADVANCED THERMAL
MANAGEMENT**

DAMP LOCATION

**4KV BUILT IN SURGE
PROTECTION**

50,000 HOURS

The latest generation of our popular Hi-Pro commercial high voltage LED lamps provides up to 80% in energy savings and brings advanced features allowing them to adjust to more applications. CCT selectable capability built into each lamp means more custom-tailored light for many more venues. And the 480 volt versions feature a dedicated sensor port for even more versatility. Designed to deliver clean, efficient LED light at 360° from higher fixtures, this lamp is perfect for gymnasiums, factory floors, health clubs, warehouses and any venue where high ceilings require high lumen, safe, superior light output.



SATCO LED LAMPS

HIGH PRO LED LAMPS: DESIGNED TO ADAPT TO MANY APPLICATIONS AND MORE VENUES IN AN INSTANT.

- CCT selectable--3000K, 4000K, 5000K
- 277-347V and 277-480V options
- Sensor port on all 480 volt versions
- Enclosed fixture rated
- Advanced thermal management
- Damp location
- 4KV Built in surge protection
- 50,000 Hours



Color temperature selection switch



ColorQuick™

Selectable Color Technology

Switch to/from the following CCT



Intelligent sensor port for accessories

COLOR TEMPERATURE/LUMENS

Item	CCT	Lumens
S23160	3000-4000-5000	2340-2520-2430
S23161	3000-4000-5000	3510-3780-3645
S23162	3000-4000-5000	4680-5040-4860
S23163	3000-4000-5000	5850-6300-6075
S23164	3000-4000-5000	4680-5040-4860
S23165	3000-4000-5000	5850-6300-6075
S23166	3000-4000-5000	7020-7560-7290
S23167	3000-4000-5000	10400-11200-10800
S23168	3000-4000-5000	13000-14000-13500



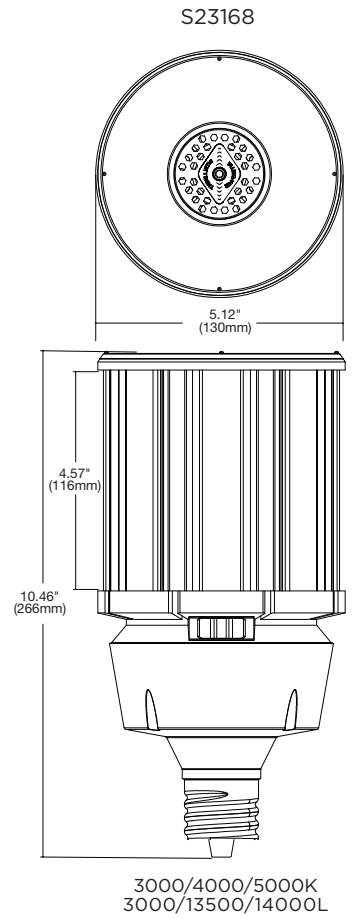
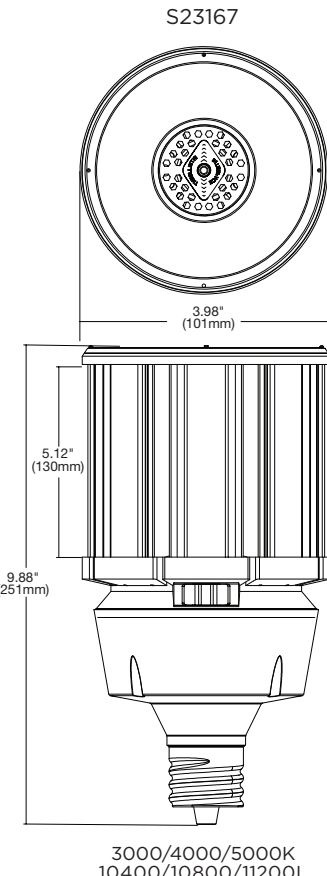
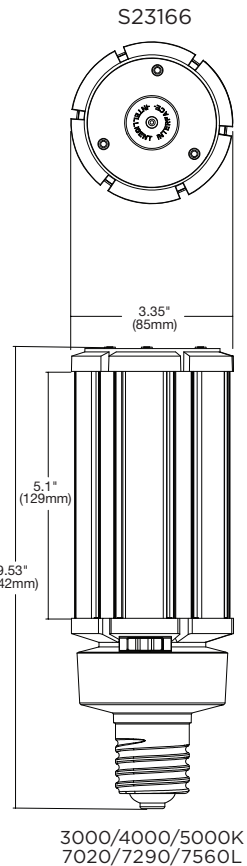
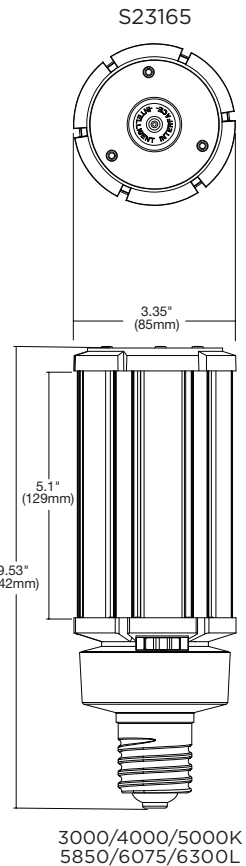
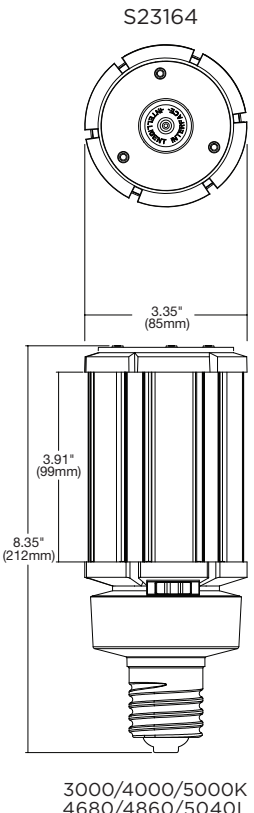
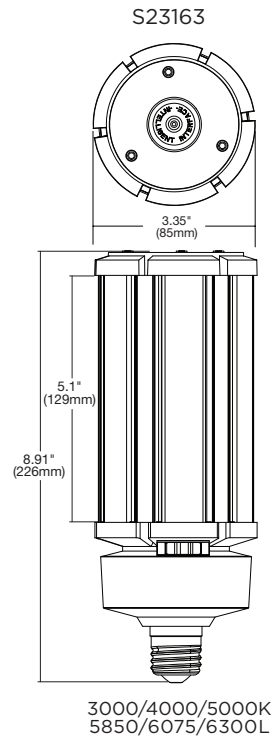
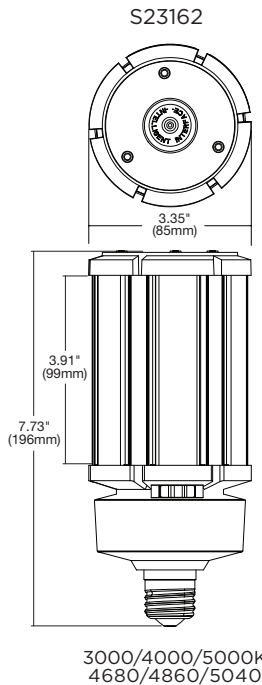
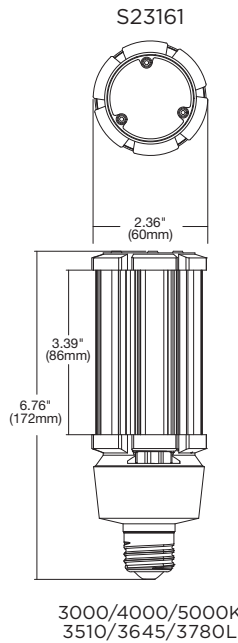
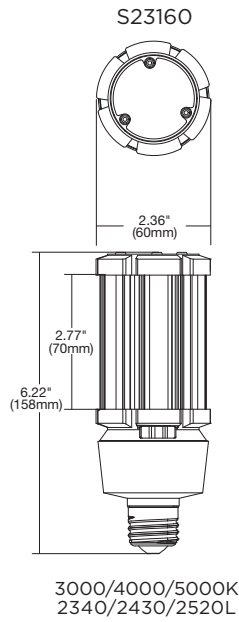
3000K



4000K



5000K



CCT selectable--3000K, 4000K, 5000K
277-347V and 277-480V options
Sensor port on all 480 volt versions
Enclosed fixture rated
Advanced thermal management
Damp location
4KV Built in surge protection
50,000 Hours

AVAILABLE HI-PRO SENSORS

80-954
Hi-Pro WiFi
Module



80-955
Hi-Pro Motion
Sensor / Infra-Red



80-956
Hi-Pro
Photocell



80-957
Hi-Pro Motion
Sensor / Microwave



Item	Description	Watts	V	Base Type	CCT Selectable	Lm Low/High/Med	CRI	Life/Hrs.	M.O.L. (In.)	UPC	Pack
S23160*	18W/LED/HID/CCT/E26	18	277-347	E26	3000/4000/5000	2340-2520-2430	80	50K	6.3	045923231605	24
S23161*	27W/LED/HID/CCT/E26	27	277-347	E26	3000/4000/5000	3510-3780-3645	80	50K	6.89	045923231612	24
S23162**	36W/LED/HID/CCT/E26	36	277-480	E26	3000/4000/5000	4680-5040-4860	80	50K	7.73	045923231629	12
S23163**	45W/LED/HID/CCT/E26	45	277-480	E26	3000/4000/5000	5850-6300-6075	80	50K	8.91	045923231636	12
S23164***	36W/LED/HID/CCT/EX39	36	277-480	EX39	3000/4000/5000	4680-5040-4860	80	50K	8.35	045923231698	12
S23165***	45W/LED/HID/CCT/EX39	45	277-480	EX39	3000/4000/5000	5850-6300-6075	80	50K	9.53	045923231650	12
S23166***	54W/LED/HID/CCT/EX39	54	277-480	EX39	3000/4000/5000	7020-7560-7290	80	50K	9.53	045923231667	12
S23167***	80W/LED/HID/CCT/EX39	80	277-480	EX39	3000/4000/5000	10400-11200-10800	80	50K	9.88	045923231674	4
S23168***	100W/LED/HID/CCT/EX39	100	277-480	EX39	3000/4000/5000	13000-14000-13500	80	50K	10.46	045923231681	4

Item	Description	UPC
80-954	Hi-Pro Wi-Fi Module - (Satco STARFISH in the App store)	045923809549
80-955	Hi-Pro Motion Sensor - Infra-Red - Standby bi-level dimming	045923809552
80-956	Hi-Pro Photocell - On/Off with adjustable settings for daylight and timers	045923809563
80-957	Hi-Pro Microwave motion sensor - On/Off with standby dimming option	045923809570

SATCO DISTRIBUTION CENTERS

NEW YORK (HQ)
110 HEARTLAND BLVD
BRENTWOOD, NY 11717
T. 631-243-2022
F. 631-243-2027

TEXAS
2000 VALWOOD PKWY
FARMERS BRANCH, TX 75234
T. 972-247-2437
F. 972-247-5408

FLORIDA
1694 NW 215TH STREET
MIAMI GARDENS, FL 33056
T. 305-624-2044
F. 305-623-0286

CALIFORNIA
31288 SAN BENITO ST
HAYWARD, CA 94544
T. 510-487-4822
F. 510-487-8955

WASHINGTON
4710 116TH ST SW
MUKILTEO, WA 98275
T. 425-789-3300
F. 425-789-3310

PUERTO RICO
CAMPECHE STREET, 23
JULIO N. MATOS INDUSTRIAL PARK
CAROLINA, PR 00984
T. 787-757-3510
F. 787-757-3540

Products inventoried in Canada & Mexico, contact: internationalsales@satco.com / 631-243-2022 Ext. 315