

SYLVANIA Luminaire

UltraLED™ Downlight Emergency Back-Up Ready

Application

The SYLVANIA UltraLED Emergency Back-Up Ready Downlights are offered in 5/6", 6", and 8" sizes and provide high performing light optimized for both new construction and retrofit applications where pin-based compact fluorescent lamps have previously been used. Equipped with emergency back-up compatibility in the back of the luminaire. The installation is done quickly and easily in most standard frames. The CCT selectable switch allows for customizable light color reproduction, offering up to 44% energy savings when compared to traditional technologies.

Benefits and Features

- CCT selectable light enabled through the switch located on the base of the product
- ENERGY STAR® listed to maximize rebate opportunities
- Up to 93 LPW
- 4 CCT Selectable
- CRI >90
- Offered in 9, 12, 14, 18, 23, 32 or 57 watts
- Uniform, glare free illumination distribution
- Wet rated
- Energy savings up to 44%

Electrical

- 120-277V_{AC} / 120V_{AC}
- Power Factor 90%
- THD <20%
- 0-10V dimmable
- Phase-cut dimmable (9W CCT Selectable/EMBB Ready only)

Rated Life

- 50,000 hours (L₇₀)

Warranty

- 5-year

Ambient Operating Range

- -4°F to +104°F (-20°C to +40°C)



Wattage Comparison

Traditional Source	Traditional System Wattage	LED System Wattage	Energy Savings
Fluorescent	13	9	-31%
Fluorescent	18	12	-33%
Fluorescent	23	14	-39%
Fluorescent	32	18	-44%
Fluorescent	18	12	-33%
Fluorescent	32	18	-44%
Fluorescent	32	23	-28%
Fluorescent	2x26	32	-38%
Fluorescent	2x32	57	-11%

Certifications and Listings

- cETLus
- RoHS
- FCC
- ENERGY STAR®

Installation

- Installation performed as a stand-alone kit (without frame) is recommended for hard ceilings. Installation of a recessed incandescent frame is recommended for tiled ceiling applications for proper support of the retrofit kit.

Specifications and Certifications



Catalog #	Type
Project	
Comments	
Prepared by	

Ordering Guide

LEDRT	XX	/ R	3C	/ XXXX	/ ST	/ U	D	9	SC8
Product Name	Size	Shape	Generation	Lumens	Voltage	Voltage	Dimming	CRI	Color Temperature
LED Downlight	5/6 = 5/6" compatible can 6 = 6" compatible can 8 = 8" compatible can	R = Round	3C = Generation 3C	700 = 700lm 900 = 900lm 1500 = 1500lm 2000 = 2000lm 3000 = 3000lm 5000 = 5000lm	S = Single Dimming T = Triac	U = Universal (120-277V)	D = 0-10V	9 = 90	SC = Selectable 3000,3500, 4000,5000K

Ordering Information

Item Number	Ordering Abbreviation	Power (W)	Base Type	Replaces	Input Voltage (V)	Average Life (hrs)	CCT	Case Qty	Typical Lumens (lm)	CRI	Power Factor	Bulb Finish	ENERGY STAR®	T20	T24
65472	LEDRT56/R3C/700ST/9SC8	9	Hardwire	13	120V	50,000	3000,3500,4000,5000K	4	700	>90	>90	Frosted	Yes	No	Yes
65473	LEDRT56/R3C/700UD/9SC8	9	Hardwire	13	120-277V	50,000	3000,3500,4000,5000K	4	700	>90	>90	Frosted	Yes	No	Yes
65474	LEDRT56/R3C/900UD/9SC8	12	Hardwire	18	120-277V	50,000	3000,3500,4000,5000K	4	900	>90	>90	Frosted	Yes	No	Yes
65475	LEDRT6/R3C/1200UD/9SC8	14	Hardwire	23	120-277V	50,000	3000,3500,4000,5000K	4	1200	>90	>90	Frosted	Yes	No	Yes
65476	LEDRT6/R3C/1500UD/9SC8	18	Hardwire	32	120-277V	50,000	3000,3500,4000,5000K	4	1500	>90	>90	Frosted	Yes	No	Yes
65477	LEDRT8/R3C/900UD/9SC8	12	Hardwire	18	120-277V	50,000	3000,3500,4000,5000K	4	900	>90	>90	Frosted	Yes	No	Yes
65478	LEDRT8/R3C/1500UD/9SC8	18	Hardwire	32	120-277V	50,000	3000,3500,4000,5000K	4	1500	>90	>90	Frosted	Yes	No	Yes
65479	LEDRT8/R3C/2000UD/9SC8	23	Hardwire	32	120-277V	50,000	3000,3500,4000,5000K	4	2000	>90	>90	Frosted	Yes	No	Yes
65480	LEDRT8/R3C/3000UD/9SC8	32	Hardwire	2x26	120-277V	50,000	3000,3500,4000,5000K	4	3000	>90	>90	Frosted	Yes	No	Yes
65481	LEDRT8/R3C/5000UD/9SC8	57	Hardwire	2x32	120-277V	50,000	3000,3500,4000,5000K	4	5000	>90	>90	Frosted	Yes	No	Yes

Energy Savings

Basic Product Description	LED Life (hrs)	LED Lumens	Similar Incandescent (hrs)	Incandescent Lumens	Watts Saved	Energy Savings*	LED Life vs Incandescent
LEDRT56/R3C/700ST/9SC8	50,000	700	2000	800	4	\$22	25x
LEDRT56/R3C/700UD/9SC8	50,000	700	2000	800	4	\$22	25x
LEDRT56/R3C/900UD/9SC8	50,000	900	2000	1000	6	\$33	25x
LEDRT6/R3C/1200UD/9SC8	50,000	1200	2000	1400	9	\$50	25x
LEDRT6/R3C/1500UD/9SC8	50,000	1500	2000	1700	14	\$77	25x
LEDRT8/R3C/900UD/9SC8	50,000	900	2000	800	6	\$33	25x
LEDRT8/R3C/1500UD/9SC8	50,000	1500	2000	1700	14	\$77	25x
LEDRT8/R3C/2000UD/9SC8	50,000	2000	2000	2200	9	\$50	25x
LEDRT8/R3C/3000UD/9SC8	50,000	3000	2000	4200	22	\$121	25x
LEDRT8/R3C/5000UD/9SC8	50,000	5000	2000	5800	7	\$39	25x

*Energy savings over life of lamp calculated at \$0.11/kWh

Accessories

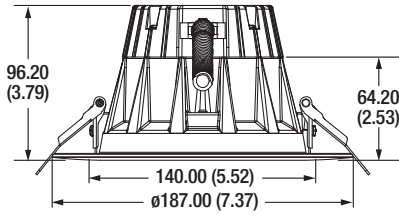
Item Number	Ordering Abbreviation	Item Description
Trim Rings		
75095	RT/5/6/TRIM/DKBZ	Dark bronze trim ring (5/6")
75097	RT/5/6/TRIM/BLK	Black trim ring (5/6")
75098	RT/5/6/TRIM/ORBZ	Bronze trim ring (5/6")
75099	RT/5/6/TRIM/SN	Satin nickel trim ring (5/6")
Trim Ring Extenders		
75082	RT6/8/TRIMEXT	Trim extender for 8" cans
75083	RT810TRIMEXT	Trim extender for 10" cans
74991	RT812TRIMEXT	Trim extender for 12" cans
Rough In Frame		
71708	LED/RT6HO/FRAME	6" recessed rough-in frame



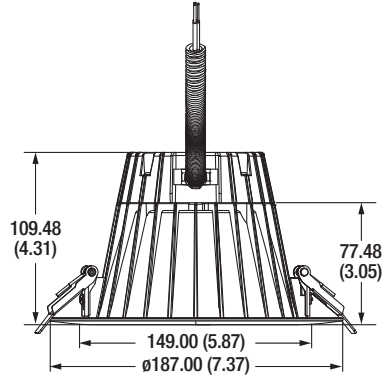
Physical Information

Luminaire Description	Height (A)	Diameter (B)
LEDRT56	3.46"	7.36"
LEDRT6	4.31"	7.36"
LEDRT8 900lm/1500lm	5.04"	9.45"
LEDRT8 2000lm	5.31"	9.45"
LEDRT8 3000lm	4.88"	9.45"
LEDRT8 5000lm	5.51"	9.45"

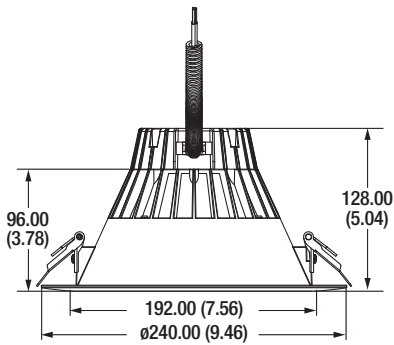
RT56 700lm/900lm



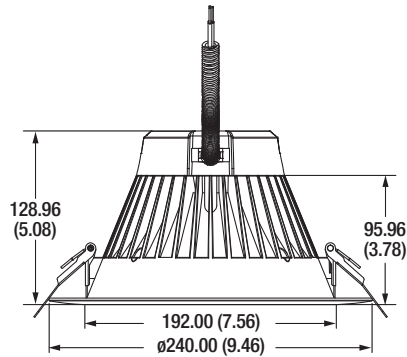
RT6 1200lm/1500lm



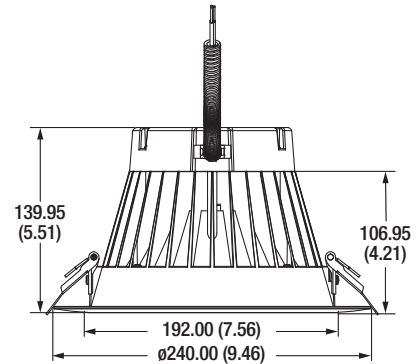
RT8 900lm/1500lm/2000lm



RT8 3000lm



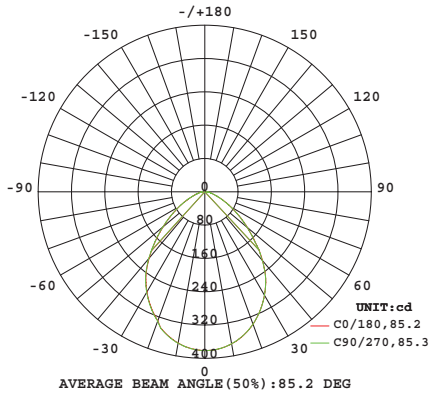
RT8 5000lm



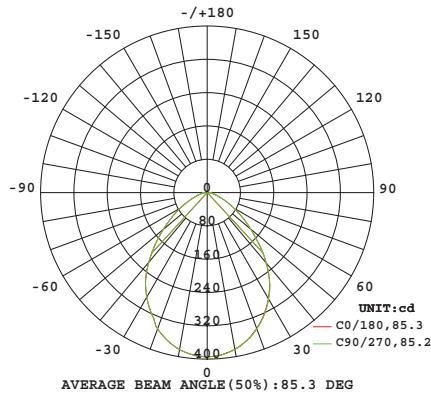
Dimensions in mm (inches)

Photometric Information

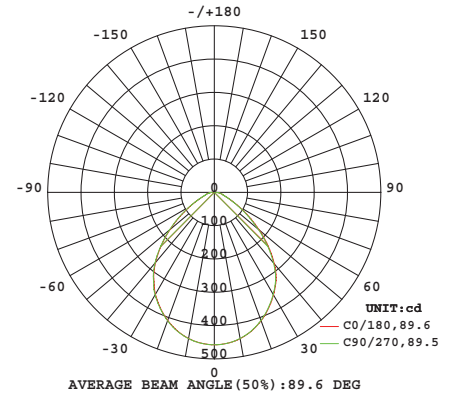
LEDRT56R3C700ST9SC8



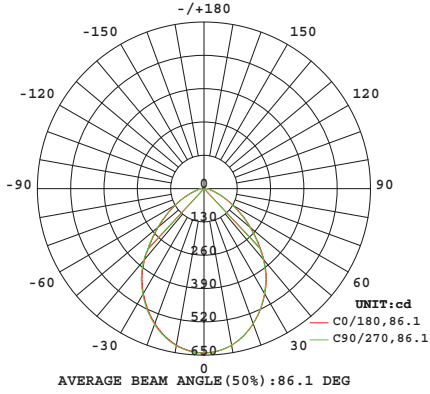
LEDRT56R3C700UD9SC8



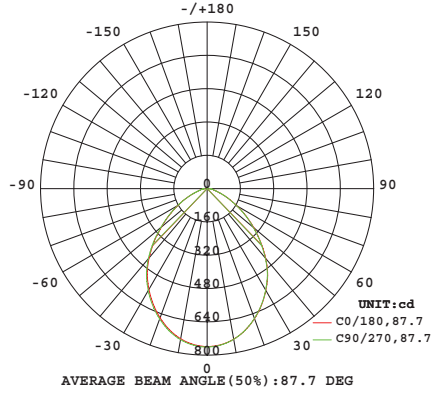
LEDRT56R3C900UD9SC8



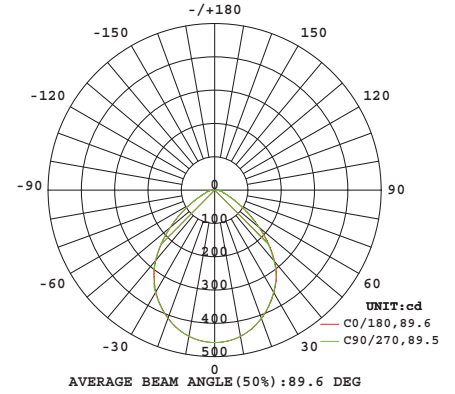
LEDRT6R3C1200UD9SC8



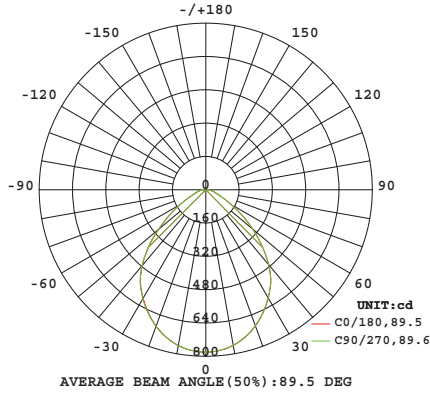
LEDRT6R3C1500UD9SC8



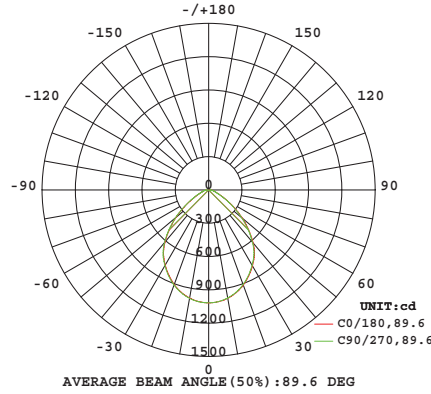
LEDRT8R3C900UD9SC8



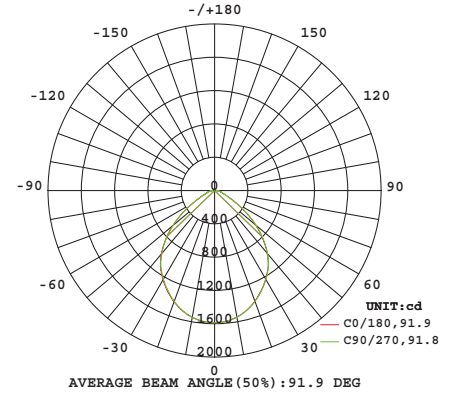
LEDRT8R3C1500UD9SC8



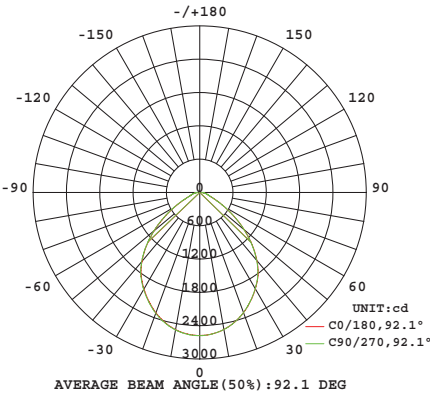
LEDRT8R3C2000UD9SC8



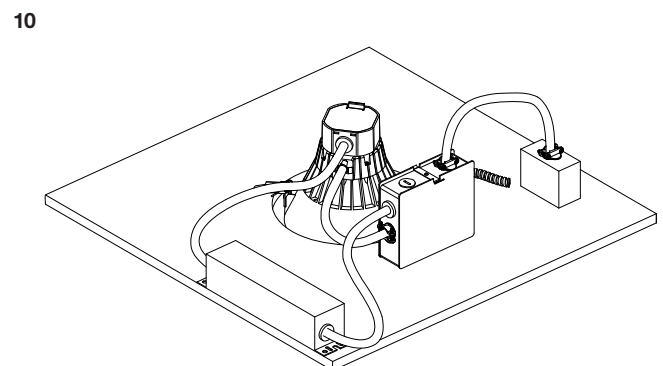
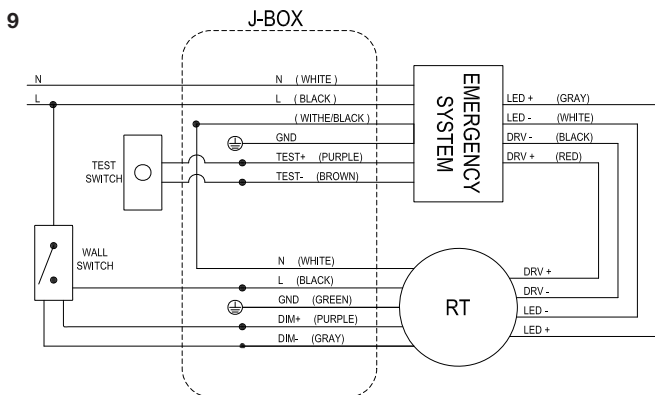
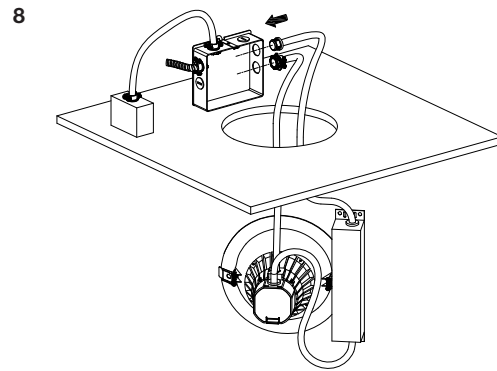
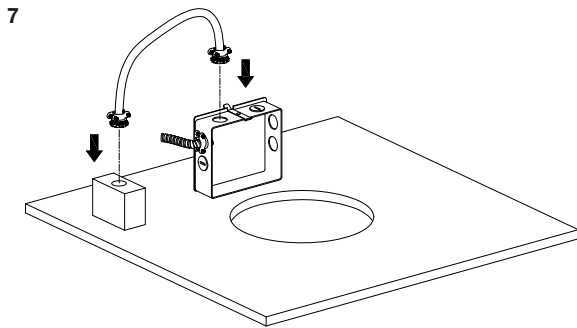
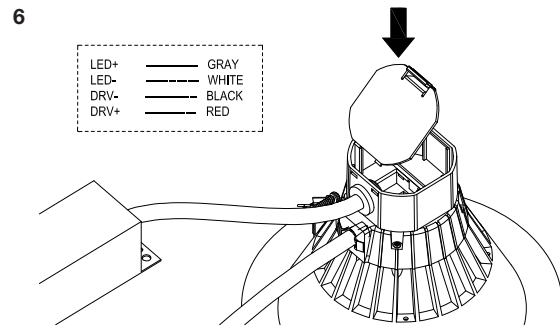
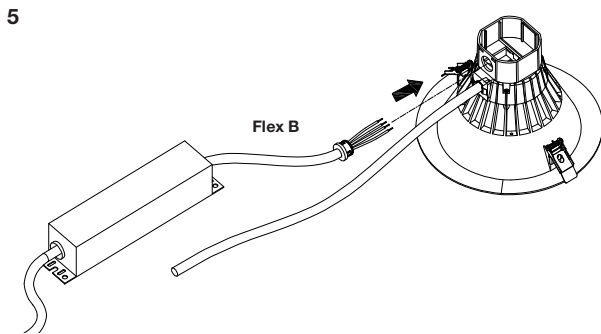
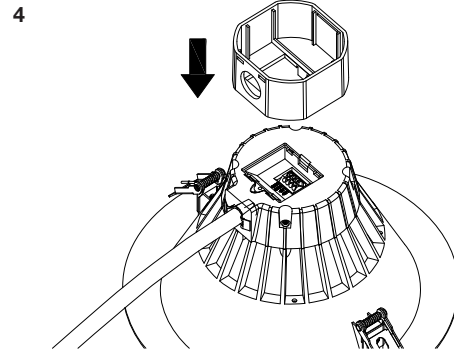
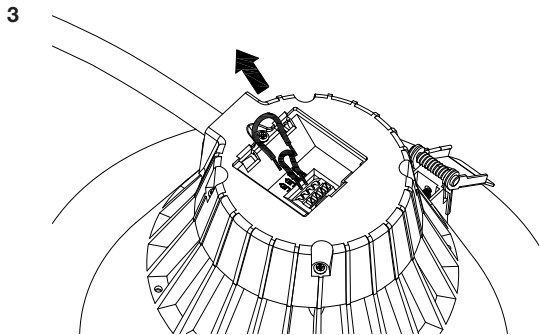
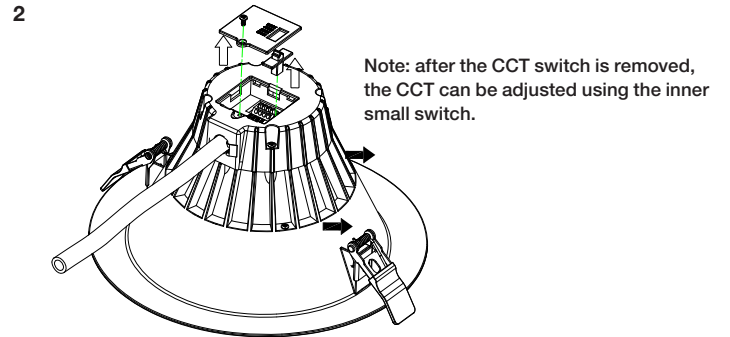
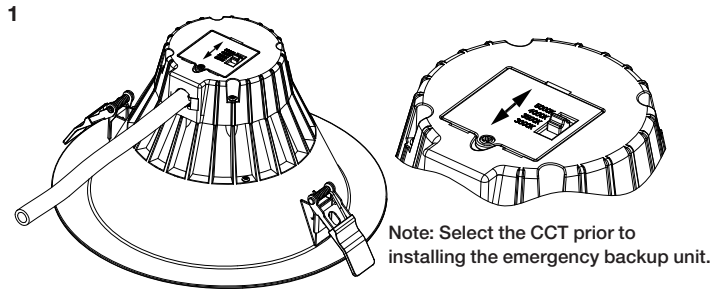
LEDRT8R3C3000UD9SC8



LEDRT8R3C5000UD9SC8



Emergency Backup Installation Instructions



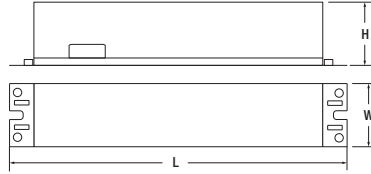
Emergency Battery Back-Up Accessories

For the EMBB application you must use the field-installable emergency back-up components listed below (sold separately).

Emergency Battery Back-Up Specs

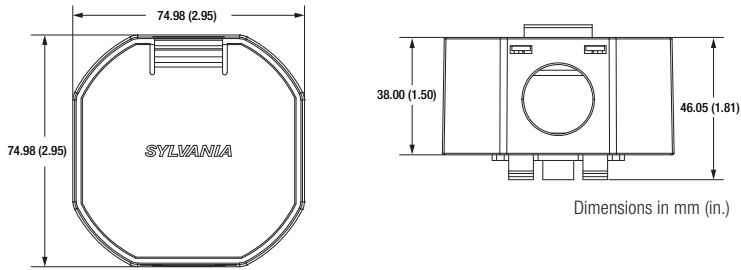
NAED	Description	Input Voltage	Frequency	Input Current	Watt Hours	Max Mounting Height	Ambient Temp	Charging Time	Rating	Warranty
60887	EMBB1A5WDC	120-277V _{AC}	50/60 Hz	100mA Max.	9.6wH	22.63ft	0-50°C	24 hours	Damp	4 years
60888	EMBB1A8WDC	120-277V _{AC}	50/60 Hz	100mA Max.	14.4wH	22.26ft	0-50°C	24 hours	Damp	4 years
60889	EMBB1A16WDC	120-277V _{AC}	50/60 Hz	100mA Max.	28.8wH	22.13ft	0-50°C	32 hours	Damp	4 years

Dimensions	Length (mm)
H	55.5
W	55
L	256



Junction Box

60891	ACC/RT/EMBB-J-BOX	Junction box for RT Emergency Battery Back-up (8 per SKU)
-------	-------------------	---



Compatibility Table

RT	EMBB NAED	RT NAED	Description	Dial Switch No. 1	Dial Switch No. 2	EMBB Current (mA)	Em Lumens (lm)	Duration (mins)
LEDRT56/R3C/700ST/9SC8	60887	65472	EMBB1A5WDC	1	0	100	350	90
LEDRT56/R3C/700UD/9SC8	60887	65473	EMBB1A5WDC	1	0	100	350	
LEDRT56/R3C/900UD/9SC8	60888	65474	EMBB1A8WDC	1	5	150	500	
	60887	65474	EMBB1A5WDC	1	0	100	350	
LEDRT6/R3C/1200UD/9SC8	60888	65475	EMBB1A8WDC	2	0	200	700	
		65475		1	5	150	550	
LEDRT6/R3C/1500UD/9SC8	60888	65476	EMBB1A8WDC	2	0	200	700	
		65476		1	5	150	550	
LEDRT8/R3C/900UD/9SC8	60888	65477	EMBB1A8WDC	1	5	150	500	
	60887	65477	EMBB1A5WDC	1	0	100	350	
LEDRT8/R3C/1500UD/9SC8	60888	65478	EMBB1A8WDC	2	0	200	700	
		65478		1	5	150	550	
LEDRT8/R3C/2000UD/9SC8	60888	65479	EMBB1A8WDC	2	0	200	750	
		65479		1	5	150	550	
LEDRT8/R3C/3000UD/9SC8	60889	65480	EMBB1A16WDC	3	0	300	1200	
	60888	65480	EMBB1A8WDC	2	0	200	750	
LEDRT8/R3C/5000UD/9SC8	60889	65481	EMBB1A16WDC	3	0	300	1200	
	60888	65481	EMBB1A8WDC	2	0	200	750	

LEDVANCE LLC
 200 Ballardvale Street
 Wilmington, MA 01887 USA
 Phone 1-800-LIGHTBULB (1-800-544-4828)
 www.sylvania.com

SYLVANIA and LEDVANCE are registered trademarks.
 All other trademarks are those of their respective owners.
 Licensee of product trademark SYLVANIA in general lighting.
 Specifications subject to change without notice.

