



Color: Bronze

Weight: 3.0 lbs

Project:

Type:

Prepared By:

Date:

### Driver Info

Type	Constant Current
120V	0.25A
208V	0.20A
240V	0.15A
277V	0.12A
Input Watts	29.4/28.4/29.7W

### LED Info

Watts	30W
Color Temp	3000K/4000K/5000K
Color Accuracy	70 CRI
L70 Lifespan	100,000 Hours
Lumens	3540/3813/3768
Efficacy	120.5/134.1/127 lm/W

## Technical Specifications

### Field Adjustability

#### Field Adjustable:

Color temperature selectable by 3000K, 4000K and 5000K

### Compliance

#### UL Listed:

Suitable for wet locations

#### IESNA LM-79 & IESNA LM-80 Testing:

RAB LED luminaires and LED components have been tested by an independent laboratory in accordance with IESNA LM-79 and LM-80.

#### DLC Listed:

This product is listed by Design Lights Consortium (DLC) as an ultra-efficient premium product that qualifies for the highest tier of rebates from DLC Member Utilities. Designed to meet DLC 5.1 requirements.

DLC Product Code: PL8HS37YLUB0

### Performance

#### Lifespan:

100,000-Hour LED lifespan based on IES LM-80 results and TM-21 calculations

### LED Characteristics

#### LEDs:

Long-life, high-efficiency, surface-mount LEDs

### Electrical

#### Driver:

Constant Current, Class 2, 120-277V, 50/60 Hz, 120V: 0.25A, 208V: 0.20A, 240V: 0.15A, 277V: 0.12A

#### Dimming Driver:

Driver includes dimming control wiring for 0-10V dimming systems. Requires separate 0-10V DC dimming circuit. Dims down to 10%.

#### Photocell:

120-277V Integrated button photocell included.

#### Note:

All values are typical (tolerance +/- 10%)

### Construction

#### IP Rating:

Ingress protection rating of IP65 for dust and water

#### Cold Weather Starting:

The minimum starting temperature is -40°C (-40°F)

#### Maximum Ambient Temperature:

Suitable for use in up to 50°C (122°F)

#### Housing:

Precision die-cast aluminum housing and door frame

## Technical Specifications (continued)

### Construction

#### Lens:

Polycarbonate lens

#### Mounting:

Hinged wiring access and conduit entries on the back, sides, top and bottom make installation a snap

#### Cut Off:

Adjustable from 0° (full cutoff) to 90°. 7 settings at 15° each.

#### Finish:

Formulated for high durability and long-lasting color

#### Green Technology:

Mercury and UV free. RoHS-compliant components.

#### Other

#### 5 Yr Limited Warranty:

The RAB 5-year, limited warranty covers light output, driver performance and paint finish. RAB's warranty is subject to all terms and conditions found at [rablighting.com/warranty](http://rablighting.com/warranty).

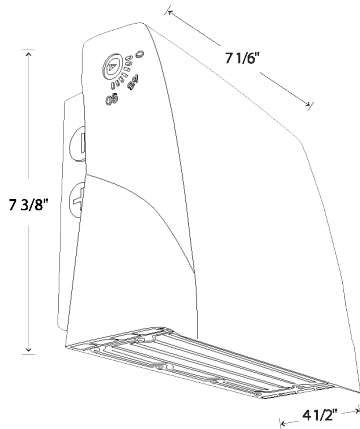
#### Equivalency:

Equivalent to 175W Metal Halide

#### Buy American Act Compliance:

RAB values USA manufacturing! Upon request, RAB may be able to manufacture this product to be compliant with the Buy American Act (BAA). Please contact customer service to request a quote for the product to be made BAA compliant.

## Dimensions



## Features

- Selectable CCT
- Adjustable cutoff
- Integrated photocell
- 0-10V dimming standard

## Ordering Matrix

Family	Wattage	Style
SLIM17FA	30	ADJ

15 = 15W  
30 = 30W  
ADJ = Angle Adjustable