

SAGE: CLIP Landscape Lighting



SA-CLBS
Short Bollard



SA-CLBT
Tall Bollard



SA-CLWP
Wall Sconce



PROJECT: _____

DATE: _____

TYPE: _____

PREPARED BY: _____



KEY FEATURES

- SAGE-CLIP is available in three models:
SA-CLBS: Bollard- Short
SA-CLBT: Bollard- Tall
SA-CLWP: Wall Sconce
- CCT: 3000K
- Voltage Rating: 120-277V
- IP65 rated
- 5-year, limited warranty

Architectural landscape lighting



IP65
IP RATING

PERFORMANCE

SA-CL	3000K		
	Bollard Tall	Bollard Short	Wall Sconce
Type	Bollard Tall	Bollard Short	Wall Sconce
Input Watts	5.37W	5.41W	5.38W
Lumens	168	178	174
Lm/W	31.3	32.9	32.3
CRI	86	86	86
Voltage Rating	120-277V		

Lifespan

100,000-hour LED lifespan based on IES LM-80 results and TM-21 calculations

TECHNICAL SPECIFICATIONS

CONSTRUCTION

Cold Weather Starting

Minimum starting temperature is -40°C (-40°F)

Maximum Ambient Temperature

Suitable for use in up to 45°C (113°F)

Housing

Die-cast aluminum

TECHNICAL SPECIFICATIONS

CONSTRUCTION (CONTINUED)

Mounting

SA-CLBS: 2pcs anchor bolts with mounting bracket

SA-CLBT: 4pcs anchor bolts for mounting

SA-CLWP: Rectangular J-Box or bracket for the wall-mount (J-Box not provided)

Lens

Polycarbonate

Gaskets

Silicone

Green Technology

Mercury and UV free. RoHs-compliant components.

Finish

Formulated for high durability and long lasting color. Available in matte bronze finish.

IP Rating

Ingress protection of IP65 for dust and water

COMPLIANCE

UL Listed

Suitable for wet locations

SAGE: CLIP Landscape Lighting



TECHNICAL SPECIFICATIONS (CONTINUED)

ELECTRICAL

Drivers:

Constant Current, Class 2, 120V, 50/60 Hz

SA-CLBS: 0.04A@120V, 0.02A @208V, 0.02A @240V, 0.02A @277V

SA-CLBT: 0.04A@120V, 0.02A @208V, 0.02A @240V, 0.02A @277V

SA-CLWP: 0.04A@120V, 0.02A @208V, 0.02A @240V, 0.02A @277V

Surge Protection

2kV (L-N)

THD / Power factor @ Static 3000K Models:

MODEL#	THD	PF	THD	PF
	120V		277V	
SA-CLBS	6.6%	99.4%	13.7%	94.2%
SA-CLBT	6.7%	99.4%	14.4%	94.0%
SA-CLWP	6.6%	99.4%	13.9%	94.0%

Note: All values are typical (tolerance +/- 10%)

LED CHARACTERISTICS

LEDs

Long-life, high-efficacy, surface-mount LEDs

Color Uniformity

RAB's range of Correlated Color Temperature follows the guidelines of the American National Standards for Specifications for the Chromaticity of Solid State Lighting (SLL) Products, ANSI C78.377-2017.

OTHER

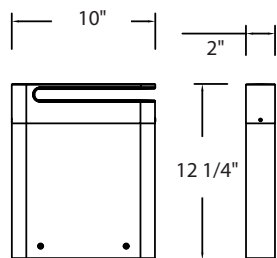
Warranty

The RAB 5-year, limited warranty covers light output, driver performance and paint finish. RAB's warranty is subject to all terms and conditions found at rablighting.com/warranty.

DIMENSIONS

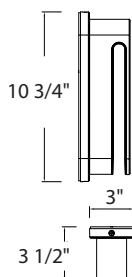
SA-CLBS

Weight: 4.85 lbs



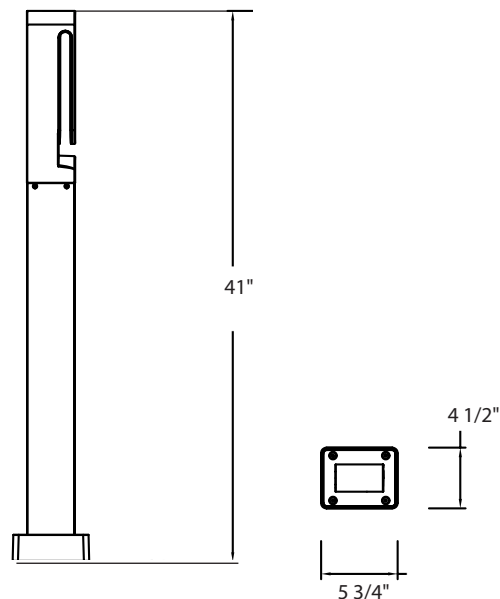
SA-CLWP

Weight: 2.43 lbs



SA-CLBT

Weight: 6.83 lbs



ORDERING MATRIX

SAGE (CLIP)

FAMILY	SHAPE	TYPE	CCT	FINISH	DRIVER
SA	CL	WP	BLANK	BLANK	BLANK
	CL	BT	3000K	Matte Bronze	120-277V
	Clip	BS			
		Wall Sconce			
		Bollard Tall			
		Bollard Short			

SAGE: DASH Landscape Lighting



SA-DASHR
Round Wall Sconce



SA-DASHS
Square Wall Sconce



SA-DASHL
Line Wall Sconce



PROJECT: _____

DATE: _____

TYPE: _____

PREPARED BY: _____



KEY FEATURES

- SAGE-DASH is available in three models:
SA-DASHR: Round Wall Sconce
SA-DASHS: Square Wall Sconce
SA-DASHL: Line Wall Sconce
- CCT: 3000K
- Voltage Rating: 120-277V (Round & Square), 120V (Line)
- IP65 rated
- 5-year, limited warranty

Architectural landscape lighting



IP65
IP RATING

PERFORMANCE

SA-DASH	3000K		
Type	Line	Round	Square
Input Watts	4.01W	4.19W	4.23W
Lumens	139	195	196
Lm/W	34.7	46.5	46.3
CRI	85	83	84
Voltage Rating	120V	120-277V	

Lifespan

100,000-hour LED lifespan based on IES LM-80 results and TM-21 calculations

TECHNICAL SPECIFICATIONS

CONSTRUCTION

Cold Weather Starting

Minimum starting temperature is -40°C (-40°F)

Maximum Ambient Temperature

Suitable for use in up to 45°C (113°F)

Housing

Die-cast aluminum

TECHNICAL SPECIFICATIONS

CONSTRUCTION

Mounting

SA-DASHR & SA-DASHS: Octangular J-Box or bracket for the wall-mount (J-Box not provided)

SA-DASHL: Rectangular J-Box or bracket for the wall-mount (J-Box not provided)

Lens

Polycarbonate

Gaskets

Silicone

Green Technology

Mercury and UV free. RoHS-compliant components.

Finish

Formulated for high durability and long lasting color. Available in matte bronze finish.

IP Rating

Ingress protection of IP65 for dust and water

COMPLIANCE

UL Listed

Suitable for wet locations

TECHNICAL SPECIFICATIONS (CONTINUED)

ELECTRICAL

Drivers:

Constant Current, Class 1, 120V, 50/60 Hz

SA-DASHR: 0.04A@120V, 0.02A @208V, 0.02A @240V, 0.02A @277V

SA-DASHS: 0.04A@120V, 0.02A @208V, 0.02A @240V, 0.02A @277V

Constant Current, (DOB) Class 1, 120V, 50/60 Hz

SA-DASHL: 0.04A@120V

Surge Protection

2kV (L-N)

THD / Power factor @ Static 3000K Models:

MODEL#	THD	PF	THD	PF
	120V		277V	
SA-DASHL	14.0%	98.9%		
SA-DASHR	20.4%	97.8%	10.0%	89.7%
SA-DASHS	20.9%	97.7%	10.0%	89.9%

Note: All values are typical (tolerance +/- 10%)

LED CHARACTERISTICS

LEDs

Long-life, high-efficacy, surface-mount LEDs

Color Uniformity

RAB's range of Correlated Color Temperature follows the guidelines of the American National Standards for Specifications for the Chromaticity of Solid State Lighting (SLL) Products, ANSI C78.377-2017.

OTHER

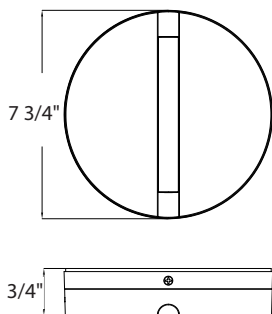
Warranty

The RAB 5-year, limited warranty covers light output, driver performance and paint finish. RAB's warranty is subject to all terms and conditions found at rablighting.com/warranty.

DIMENSIONS

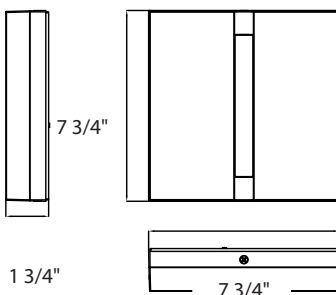
SA-DASHR

Weight: 2.43 lbs



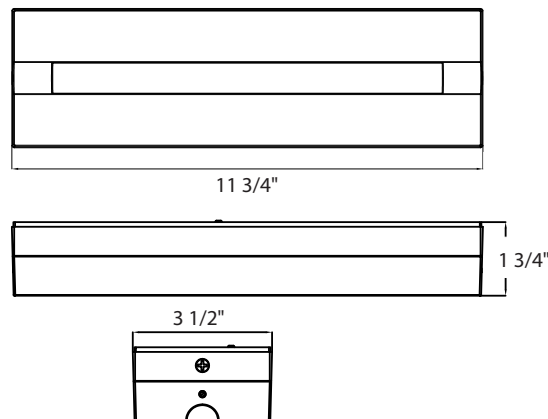
SA-DASHS

Weight: 2.87 lbs



SA-DASHL

Weight: 1.98 lbs



ORDERING MATRIX

SAGE (DASH)

FAMILY	SHAPE	TYPE	CCT	FINISH	DRIVER
SA	DASH				
	DASH Wall Sconce	R S L	BLANK 3000K	BLANK Matte Bronze	BLANK 120-277V * BLANK 120V **

* Available only for the round & square models

** Available only for the line model

SAGE: LEAF Landscape Lighting



SA-LEWP
Round Wall Sconce



PROJECT: _____

DATE: _____

TYPE: _____

PREPARED BY: _____

Architectural landscape lighting



IP65
IP RATING



KEY FEATURES

- SAGE-LEAF is available in following model:
SA-LEWP: Wall Pack
- CCT: 3000K
- Voltage Rating: 120-277V
- IP65 rated
- 5-year, limited warranty

PERFORMANCE

SA-LE	3000K
Type	Wall Sconce
Input Watts	8.67W
Lumens	74
Lm/W	8.5
CRI	83
Voltage Rating	120-277V

Lifespan

100,000-hour LED lifespan based on IES LM-80 results and TM-21 calculations

TECHNICAL SPECIFICATIONS

CONSTRUCTION

Cold Weather Starting

Minimum starting temperature is -40°C (-40°F)

Maximum Ambient Temperature

Suitable for use in up to 45°C (113°F)

TECHNICAL SPECIFICATIONS (CONTINUED)

CONSTRUCTION

Housing

Die-cast aluminum

Mounting

SA-LEWP : Octangular J-Box or bracket for the wall-mount (J-Box not provided)

Lens

Polycarbonate

Gaskets

Silicone

Green Technology

Mercury and UV free. RoHS-compliant components.

Finish

Formulated for high durability and long lasting color. Available in matte bronze finish.

IP Rating

Ingress protection of IP65 for dust and water

COMPLIANCE

UL Listed

Suitable for wet locations

SAGE: LEAF Landscape Lighting



TECHNICAL SPECIFICATIONS

ELECTRICAL

Drivers:

Constant Current, Class 2, 120V, 50/60 Hz

SA-LEWP: 0.08A@120V, 0.05A @208V, 0.04A @240V, 0.04A @277V

Surge Protection
2kV (L-N)

THD / Power factor @ Static 3000K Models:

MODEL#	THD	PF	THD	PF
	120V		277V	
SA-LEWP	7.2%	99.7%	9.5%	93.6%

Note: All values are typical (tolerance +/- 10%)

LED CHARACTERISTICS

LEDS

Long-life, high-efficacy, surface-mount LEDs

Color Uniformity

RAB's range of Correlated Color Temperature follows the guidelines of the American National Standards for Specifications for the Chromaticity of Solid State Lighting (SLL) Products, ANSI C78.377-2017.

OTHER

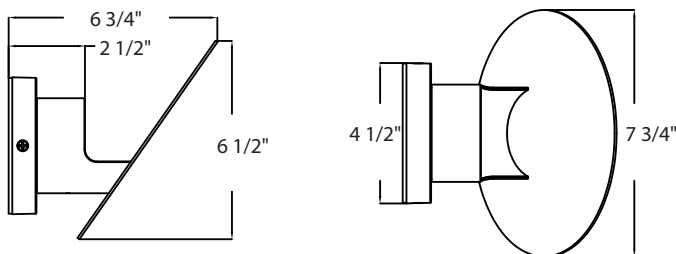
Warranty

The RAB 5-year, limited warranty covers light output, driver performance and paint finish. RAB's warranty is subject to all terms and conditions found at rablighting.com/warranty.

DIMENSIONS

SA-LEWP

Weight: 1.32 lbs



ORDERING MATRIX

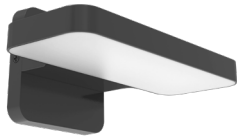
SAGE (LEAF)

FAMILY	SHAPE	TYPE	CCT	FINISH	DRIVER		
SA	LE	WP					
	LE	Leaf	WP	Wall Sconce	BLANK 3000K	BLANK Matte Bronze	BLANK 120-277V

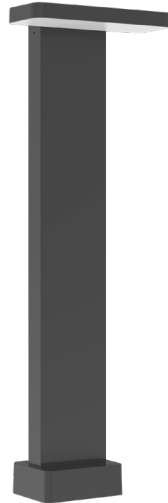
SAGE: LINDEN Landscape Lighting



SA-LWP
Wall Sconce



SA-LB
Bollard



PROJECT: _____

DATE: _____

TYPE: _____

PREPARED BY: _____



Architectural landscape lighting



IP65
IP RATING

PERFORMANCE

SA-L	3000K	
Type	Bollard	Wall Sconce
Input Watts	8.18W	8.11W
Lumens	441	453
Lm/W	53.9	55.9
CRI	84	85
Voltage Rating	120-277V	

Lifespan

100,000-hour LED lifespan based on IES LM-80 results and TM-21 calculations

TECHNICAL SPECIFICATIONS

CONSTRUCTION

Cold Weather Starting

Minimum starting temperature is -40°C (-40°F)

Maximum Ambient Temperature

Suitable for use in up to 45°C (113°F)

KEY FEATURES

- SAGE-LINDEN is available in two models:
SA-LWP: Wall Pack
SA-LB: Bollard
- CCT: 3000K
- Voltage Rating: 120-277V
- IP65 rated
- 5-year, limited warranty

TECHNICAL SPECIFICATIONS

CONSTRUCTION

Housing

Die-cast aluminum

Mounting

SA-LWP : Octangular J-Box or bracket for the wall-mount (J-Box not provided)

SA-LB : 4pcs anchor bolts for mounting

Lens

Polycarbonate

Gaskets

Silicone

Green Technology

Mercury and UV free. RoHs-compliant components.

Finish

Formulated for high durability and long lasting color. Available in matte bronze finish.

IP Rating

Ingress protection of IP65 for dust and water

COMPLIANCE

UL Listed

Suitable for wet locations

SAGE: LINDEN Landscape Lighting



TECHNICAL SPECIFICATIONS (CONTINUED)

ELECTRICAL

Drivers:

Constant Current, Class 1, 120V, 50/60 Hz

SA-LWP: 0.07A@120V, 0.04A @208V, 0.04A @240V, 0.04A @277V

SA-LB: 0.07A@120V, 0.04A @208V, 0.04A @240V, 0.04A @277V

Surge Protection

2kV (L-N)

THD / Power factor @ Static 3000K Models:

MODEL#	THD	PF	THD	PF
	120V		277V	
SA-LWP	21.5%	97.7%	11.1%	91.6%
SA-LB	21.0%	97.8%	11.0%	91.6%

Note: All values are typical (tolerance +/- 10%)

LED CHARACTERISTICS

LEDS

Long-life, high-efficacy, surface-mount LEDs

Color Uniformity

RAB's range of Correlated Color Temperature follows the guidelines of the American National Standards for Specifications for the Chromaticity of Solid State Lighting (SLL) Products, ANSI C78.377-2017.

OTHER

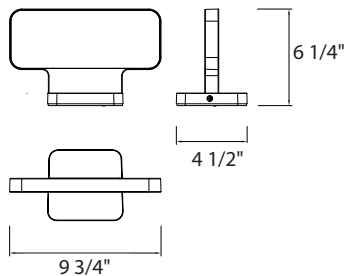
Warranty

The RAB 5-year, limited warranty covers light output, driver performance and paint finish. RAB's warranty is subject to all terms and conditions found at rablighting.com/warranty.

DIMENSIONS

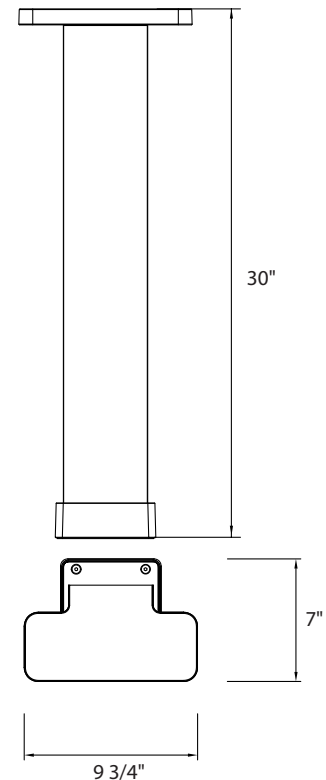
SA-LWP

Weight: 2.20 lbs



SA-LB

Weight: 6.61 lbs



ORDERING MATRIX

SAGE (LINDEN)

FAMILY	SHAPE	TYPE	CCT	FINISH	DRIVER
SA	L Linden	WP B Wall Sconce Bollard	BLANK 3000K	BLANK Matte Bronze	BLANK 120-277V

SAGE: MUSHROOM Landscape Lighting



SA-MUWP
Wall Sconce



SA-MUB
Bollard



PROJECT: _____

DATE: _____

TYPE: _____

PREPARED BY: _____



KEY FEATURES

- SAGE MUSHROOM is available in two models:
SA-MUWP: Wall Sconce
SA-MUB: Bollard
- CCT: 3000K or RGBW color tuning with Lightcloud Blue
- RGB models directly connect to the Lightcloud Blue mobile app via Bluetooth. No Gateway or Hub required
- Voltage Rating: 120-277V
- IP65 rated
- 5-year, limited warranty

Color-tunable, architectural landscape lighting



* Select Models

PERFORMANCE

SA-MUB/RGB	RED	GREEN	BLUE	2200K	2700K	3000K	3500K	4000K	SA-MUB	3000K
INPUT WATTS	2.38W	2.37W	2.36W	3.30W	3.81W	4.30W	6.61W	8.23W	INPUT WATTS	8.25W
LUMENS	11	25	3	31	50	68	145	221	LUMENS	243
EFFICACY	4.6	10.5	1.3	9.4	13.1	15.8	21.9	26.9	EFFICACY	29.5
CRI				63	80	89	93	85	CRI	83
VOLTAGE RATINGS	120-277V								VOLTAGE RATINGS	120-277V

SA-MUWP/RGB	RED	GREEN	BLUE	2200K	2700K	3000K	3500K	4000K	SA-MUWP	3000K
INPUT WATTS	2.37W	2.37W	2.36W	3.27W	3.75W	4.20W	5.70W	8.25W	INPUT WATTS	8.46W
LUMENS	11	26	3	32	50	66	118	227	LUMENS	257
EFFICACY	4.6	11	1.3	9.8	13.3	15.7	20.7	27.5	EFFICACY	30.4
CRI				60	79	88	95	85	CRI	83
VOLTAGE RATINGS	120-277V								VOLTAGE RATINGS	120-277V

Lifespan

100,000-hour LED lifespan based on IES LM-80 results and TM-21 calculations

TECHNICAL SPECIFICATIONS

CONSTRUCTION

Cold Weather Starting

Minimum starting temperature is -40°C (-40°F)

Maximum Ambient Temperature

Suitable for use in up to 45°C (113°F)

Housing

Die-cast aluminum

Mounting

SA-MUWP: Octangular J-Box or bracket for the wall-mount (J-Box not provided)

SA-MUB: 3pcs anchor bolts for mounting

Lens

Polycarbonate

Gaskets

Silicone

Green Technology

Mercury and UV free. RoHS-compliant components.

Finish

Formulated for high durability and long lasting color. Available in matte bronze finish.

IP Rating

Ingress protection of IP65 for dust and water

COMPLIANCE

UL Listed

Suitable for wet locations

ELECTRICAL

Drivers:

Constant Current, Class 2, 120V, 50/60 Hz

SA-MUB: 0.07A@120V, 0.04A @208V, 0.04A @240V, 0.04A @277V

SA-MUWP: 0.07A@120V, 0.04A @208V, 0.04A @240V, 0.04A @277V

Surge Protection

2kV (L-N)

THD / Power factor:

MODEL#	THD	PF	THD	PF
	120V		277V	
SA-MUB	8.4%	99.0%	21.8%	90.2%
SA-MUWP	9.4%	98.9%	21.0%	90.3%
SA-MUWP/RGB:				
RED	17.5%	90.3%	19.2%	49.4%
GREEN	17.5%	90.2%	19.4%	49.2%
BLUE	17.5%	90.2%	19.2%	49.3%
2200K	12.0%	95.2%	16.8%	59.7%
2700K	12.2%	96.2%	15.6%	64.5%
3000K	11.4%	96.9%	14.4%	68.2%
3500K	11.3%	98.1%	11.7%	78.0%
4000K	8.8%	99.0%	9.1%	87.0%

ELECTRICAL

THD / Power factor (Continued):

MODEL#	THD	PF	THD	PF
	120V		277V	
SA-MUB/RGB				
RED	14.5%	91.3%	17.9%	50.5%
GREEN	15.2%	91.3%	18.2%	50.2%
BLUE	14.8%	91.2%	18.1%	50.4%
2200K	12.3%	95.7%	15.3%	61.7%
2700K	11.9%	96.6%	14.3%	66.5%
3000K	11.7%	97.3%	12.8%	70.5%
3500K	10.8%	98.6%	9.9%	82.9%
4000K	9.5%	99.0%	8.7%	87.8%

Note: All values are typical (tolerance +/- 10%)

LED CHARACTERISTICS

LEDS

Long-life, high-efficacy, surface-mount LEDs

Color Uniformity

RAB's range of Correlated Color Temperature follows the guidelines of the American National Standards for Specifications for the Chromaticity of Solid State Lighting (SLL) Products, ANSI C78.377-2017.

Color Temperature

Default: 3000K

/RGB models are adjustable using the Lightcloud Blue mobile app

Tunable White 2200K - 4000K

16+ million RGB color

LIGHTCLOUD BLUE

LIGHTCLOUD BLUE ENABLED

Lightcloud Blue (LCB) is a Bluetooth Mesh wireless lighting control System that allows you to control RAB's various compatible devices. With RAB's patented Rapid Provisioning technology, devices can be quickly and easily commissioned for residential and large commercial applications using the Lightcloud Blue mobile app. Each device in a system can communicate with any other device, eliminating the need for a Gateway or Hub and maximizing the control system's reach.

DLC system - N1XMLOEATBA (Interior); NHCZ2BIA17L (Exterior)

Learn more at www.lightcloud.com

OTHER

Warranty

The RAB 5-year, limited warranty covers light output, driver performance and paint finish. RAB's warranty is subject to all terms and conditions found at rablighting.com/warranty.

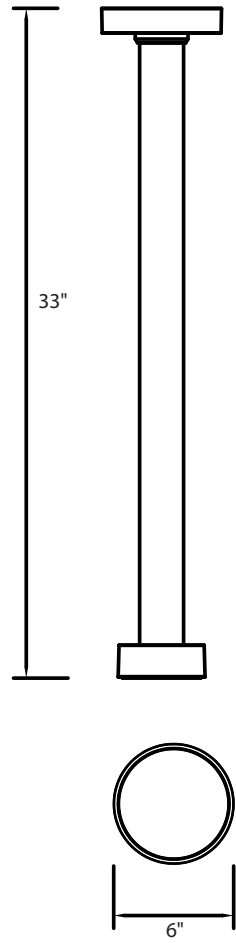
SAGE: MUSHROOM Landscape Lighting



DIMENSIONS

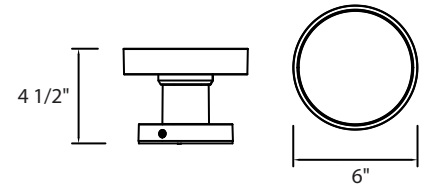
SA-MUB

Weight: 4.63 lbs



SA-MUWP

Weight: 1.98 lbs



ORDERING MATRIX

SAGE (MUSHROOM)

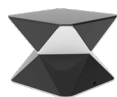
FAMILY	SHAPE	TYPE	CCT	FINISH	DRIVER	OPTIONS
SA	MU Mushroom	WP B Wall Sconce Bollard	BLANK BLANK 3000K 2200K-4000K* Tunable White	BLANK Matte Bronze	BLANK 120-277V	Blank /RGB No Option 16+ million colors

* Applies to RGB models only

SAGE: POUF Landscape Lighting



SA-PD
Deck Light



SA-PB
Bollard



PROJECT: _____

DATE: _____

TYPE: _____

PREPARED BY: _____



KEY FEATURES

- SAGE-POUF is available in two models:
SA-PB: Bollard
SA-PD: Deck Light
- CCT: 3000K or RGBW color tuning with Lightcloud Blue
- RGB models directly connect to the Lightcloud Blue mobile app via Bluetooth. No Gateway or Hub required
- Voltage Rating: 120-277V
- IP65 rated
- 5-year, limited warranty

Color-tunable, architectural landscape lighting



IP65
IP RATING



* Select Models

PERFORMANCE

SA-PB/RGB	RED	GREEN	BLUE	2200K	2700K	3000K	3500K	4000K	SA-PB	3000K
INPUT WATTS	2.39W	2.38W	2.38W	3.28W	3.87W	4.49W	8.91W	8.06W	INPUT WATTS	8.08W
LUMENS	22	53	8	65	110	158	484	484	LUMENS	541
EFFICACY	9.2	22.3	3.4	19.8	28.4	35.2	54.3	60.0	EFFICACY	67.0
CRI				64	83	93	88	84	CRI	84
VOLTAGE RATINGS	120-277V								VOLTAGE RATINGS	120-277V

SA-PD/RGB	RED	GREEN	BLUE	2200K	2700K	3000K	3500K	4000K	SA-PD	3000K
INPUT WATTS	2.40W	2.40W	2.39W	3.33W	3.88W	4.62W	8.93W	7.88W	INPUT WATTS	8.26W
LUMENS	23	55	9	66	111	171	514	499	LUMENS	603
EFFICACY	9.6	22.9	3.8	19.8	28.6	37.0	57.6	63.3	EFFICACY	73.0
CRI				62	82	94	86	83	CRI	84
VOLTAGE RATINGS	120-277V								VOLTAGE RATINGS	120-277V

Lifespan

100,000-hour LED lifespan based on IES LM-80 results and TM-21 calculations

TECHNICAL SPECIFICATIONS

CONSTRUCTION

Cold Weather Starting

Minimum starting temperature is -40°C (-40°F)

Maximum Ambient Temperature

Suitable for use in up to 45°C (113°F)

Housing

Die-cast aluminum

Mounting

SA-PB: 4pcs anchor bolts for mounting

SA-PD: Octangular J-Box or bracket for the wall-mount (J-Box not provided)

Lens

Polycarbonate

Gaskets

Silicone

Green Technology

Mercury and UV free. RoHS-compliant components.

Finish

Formulated for high durability and long lasting color. Available in matte bronze finish.

IP Rating

Ingress protection of IP65 for dust and water

COMPLIANCE

UL Listed

Suitable for wet locations

ELECTRICAL

Drivers:

Constant Current, Class 2, 120V, 50/60 Hz

SA-PB: 0.07A@120V, 0.04A @208V, 0.04A @240V, 0.04A @277V

SA-PD: 0.07A@120V, 0.04A @208V, 0.04A @240V, 0.04A @277V

Surge Protection

2kV (L-N)

THD / Power factor:

MODEL#	THD	PF	THD	PF
	120V		277V	
SA-PB	9.5%	98.9%	21.9%	89.7%
SA-PD	8.9%	98.9%	21.5%	90.2%
SA-PB/RGB:				
RED	16.9%	91.2%	18.5%	51.2%
GREEN	17.0%	91.2%	18.6%	51.2%
BLUE	17.2%	91.0%	18.6%	50.8%
2200K	12.6%	95.6%	15.9%	61.8%
2700K	12.3%	96.7%	14.4%	67.9%
3000K	12.2%	97.4%	12.9%	72.6%
3500K	8.6%	99.1%	8.8%	89.5%
4000K	9.1%	99.0%	8.8%	87.8%

ELECTRICAL

THD / Power factor (Continued):

MODEL#	THD	PF	THD	PF
	120V		277V	
SA-PD/RGB				
RED	20.5%	90.4%	18.2%	50.2%
GREEN	20.7%	90.3%	18.3%	50.4%
BLUE	21.0%	90.2%	18.4%	50.0%
2200K	12.8%	95.6%	15.5%	61.3%
2700K	12.4%	96.6%	14.3%	66.7%
3000K	12.2%	97.4%	12.6%	72.7%
3500K	8.7%	99.1%	8.7%	89.2%
4000K	9.4%	98.9%	9.0%	86.7%

Note: All values are typical (tolerance +/- 10%)

LED CHARACTERISTICS

LEDs

Long-life, high-efficacy, surface-mount LEDs

Color Uniformity

RAB's range of Correlated Color Temperature follows the guidelines of the American National Standards for Specifications for the Chromaticity of Solid State Lighting (SLL) Products, ANSI C78.377-2017.

Color Temperature

Default: 3000K

/RGB models are adjustable using the Lightcloud Blue mobile app

Tunable White 2200K - 4000K

16+ million RGB color

LIGHTCLOUD BLUE

Lightcloud Blue Enabled

Lightcloud Blue (LCB) is a Bluetooth Mesh wireless lighting control System that allows you to control RAB's various compatible devices. With RAB's patented Rapid Provisioning technology, devices can be quickly and easily commissioned for residential and large commercial applications using the Lightcloud Blue mobile app. Each device in a system can communicate with any other device, eliminating the need for a Gateway or Hub and maximizing the control system's reach.

DLC system - N1XMLOEATBA (Interior); NHCZ2BIA17L (Exterior)

Learn more at www.lightcloud.com

OTHER

Warranty

The RAB 5-year, limited warranty covers light output, driver performance and paint finish. RAB's warranty is subject to all terms and conditions found at rablighting.com/warranty.

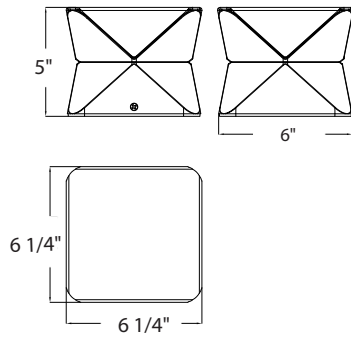
SAGE: POUF Landscape Lighting



DIMENSIONS

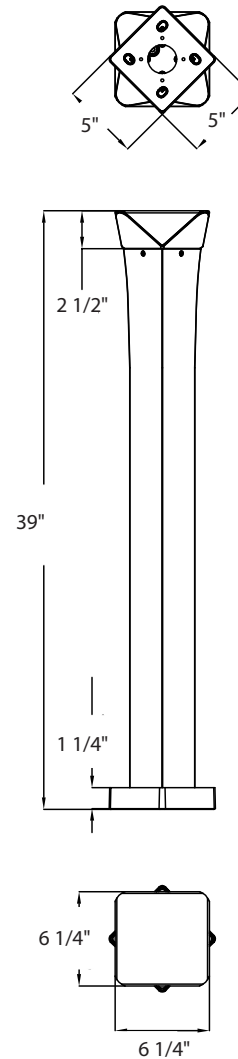
SA-PD

Weight: 2.65 lbs



SA-PB

Weight: 5.51 lbs



ORDERING MATRIX

SAGE (POUF)

FAMILY	SHAPE	TYPE	CCT	FINISH	DRIVER	OPTIONS
SA	P	B D	BLANK BLANK	BLANK Matte Bronze	BLANK 120-277V	Blank /RGB No Option 16+ million colors
	p Pouf	Bollard Deck Light	3000K 2200K-4000K* Tunable White			

* Applies to RGB models only

SAGE: REED Landscape Lighting



SA-REWP
Wall Sconce

SA-REBR
Bollard w/
Accent ring

SA-REB
Bollard



PROJECT: _____

DATE: _____

TYPE: _____

PREPARED BY: _____



KEY FEATURES

- SAGE-REED is available in three models:
SA-REWP: Wall Sconce
SA-REB: Bollard
SA-REBR: Bollard with accent ring
- CCT: 3000K
- Voltage Rating: 120-277V
- IP65 rated
- 5-year, limited warranty

Architectural landscape lighting



IP65
IP RATING

PERFORMANCE

SA-RE	3000K		
Type	Bollard	Bollard w/Accent Ring	Wall Sconce
Input Watts	6.99W	8.77W	6.63W
Lumens	287	341	532
Lm/W	41.1	38.9	80.2
CRI	83	85	84
Voltage Rating	120-277V		

Lifespan

100,000-hour LED lifespan based on IES LM-80 results and TM-21 calculations

TECHNICAL SPECIFICATIONS

CONSTRUCTION

Cold Weather Starting

Minimum starting temperature is -40°C (-40°F)

Maximum Ambient Temperature

Suitable for use in up to 45°C (113°F)

Housing

Die-cast aluminum

Lens

Polycarbonate

TECHNICAL SPECIFICATIONS

CONSTRUCTION

Mounting

SA-REWP: Octangular J-Box or bracket for the wall-mount (J-Box not provided)

SA-REB / SA-REBR: 3pcs anchor bolts for mounting

Gaskets

Silicone

Green Technology

Mercury and UV free. RoHS-compliant components.

Finish

Formulated for high durability and long lasting color. Available in matte bronze finish.

IP Rating

Ingress protection of IP65 for dust and water

COMPLIANCE

UL Listed

Suitable for wet locations

ELECTRICAL

Drivers:

Constant Current, Class 2, 120V, 50/60 Hz

SA-REWP: 0.06A@120V, 0.04A @208V, 0.03A @240V, 0.03A @277V

SA-REB: 0.06A@120V, 0.04A @208V, 0.03A @240V, 0.03A @277V

SA-REBR: 0.08A@120V, 0.05A @208V, 0.04A @240V, 0.04A @277V

Surge Protection

2kV (L-N)

TECHNICAL SPECIFICATIONS

ELECTRICAL

THD / Power factor @ Static 3000K Models:

MODEL#	THD	PF	THD	PF
	120V		277V	
SA-REB	6.1%	99.7%	11.5%	93.4%
SA-REBR	7.6%	99.7%	8.3%	93.6%
SA-REWP	5.8%	99.7%	10.8%	93.1%

Note: All values are typical (tolerance +/- 10%)

LED CHARACTERISTICS

LEDS

Long-life, high-efficacy, surface-mount LEDs

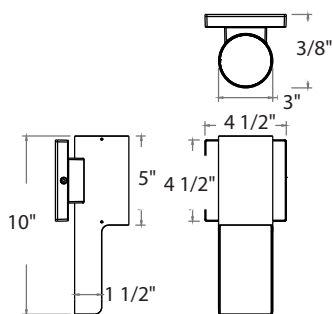
Color Uniformity

RAB's range of Correlated Color Temperature follows the guidelines of the American National Standards for Specifications for the Chromaticity of Solid State Lighting (SLL) Products, ANSI C78.377-2017.

DIMENSIONS

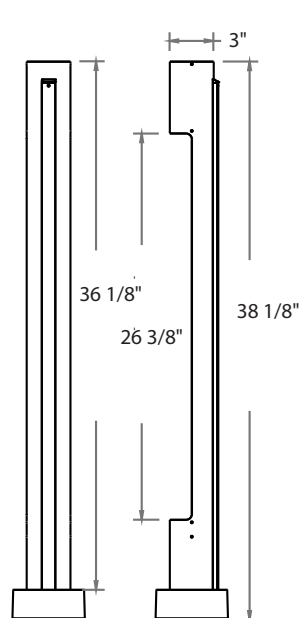
SA-REWP

Weight: 1.76 lbs



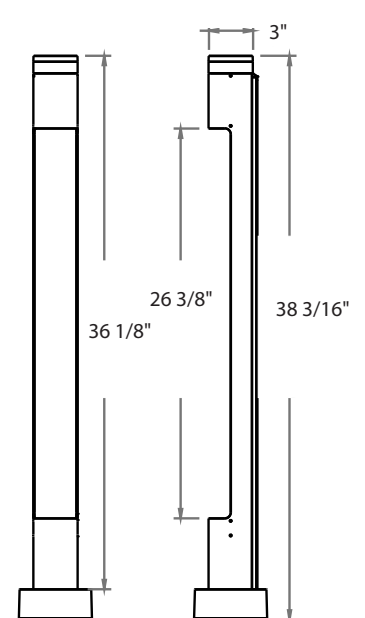
SA-REB

Weight: 4.41 lbs



SA-REBR

Weight: 4.41 lbs



ORDERING MATRIX

SAGE (REED)

FAMILY	SHAPE	TYPE	CCT	FINISH	DRIVER		
SA	RE						
	RE	Reed	WP B BR	Wall Sconce Bollard Bollard With Accent Ring	BLANK 3000K	BLANK Matte Bronze	BLANK 120-277V

SAGE: SLOT Landscape Lighting



SA-SLWP
Wall Sconce



SA-SLB
Bollard



PROJECT: _____

DATE: _____

TYPE: _____

PREPARED BY: _____



KEY FEATURES

- SAGE REED is available in two models:
SA-SLWP: Wall pack
SA-SLB: Bollard
- CCT: 3000K or RGBW color tuning with Lightcloud Blue
- RGB models directly connect to the Lightcloud Blue mobile app via Bluetooth. No Gateway or Hub required
- Voltage Rating: 120-277V (Round & Square), 120V (Line)
- IP65 rated
- 5-year, limited warranty

Color-tunable, architectural landscape lighting



IP65
IP RATING



* Select Models

PERFORMANCE

SA-SLWP/RGB	RED	GREEN	BLUE	2200K	2700K	3000K	3500K	4000K	SA-SLWP	3000K
INPUT WATTS	2.27W	2.26W	2.25W	3.05W	3.41W	3.74W	5.32W	7.95W	INPUT WATTS	8.27W
LUMENS	13	33	5	35	53	69	145	307	LUMENS	332
EFFICACY	5.7	14.6	2.2	11.5	15.5	18.4	27.3	38.6	EFFICACY	40.1
CRI				54	72	81	96	84	CRI	85
VOLTAGE RATINGS	120-277V								VOLTAGE RATINGS	120-277V

SA-SLB/RGB	RED	GREEN	BLUE	2200K	2700K	3000K	3500K	4000K	SA-SLWP	3000K
INPUT WATTS	2.38W	2.38W	2.37W	3.23W	3.65W	3.89W	5.01W	9.22W	INPUT WATTS	9.96W
LUMENS	8	18	3	21	33	39	71	186	LUMENS	262
EFFICACY	3.4	7.6	1.3	6.5	9.0	10.0	14.2	20.2	EFFICACY	26.3
CRI				62	77	82	95	90	CRI	85
VOLTAGE RATINGS	120-277V								VOLTAGE RATINGS	120-277V

Lifespan

100,000-hour LED lifespan based on IES LM-80 results and TM-21 calculations

TECHNICAL SPECIFICATIONS

CONSTRUCTION

Cold Weather Starting

Minimum starting temperature is -40°C (-40°F)

Maximum Ambient Temperature

Suitable for use in up to 45°C (113°F)

Housing

Die-cast aluminum

Mounting

SA-SLWP: Octangular J-Box or bracket for the wall-mount
(J-Box not provided)

SA-SLB: 3pcs anchor bolts for mounting

Lens

Polycarbonate

Gaskets

Silicone

Green Technology

Mercury and UV free. RoHs-compliant components.

Finish

Formulated for high durability and long lasting color. Available matte bronze finish.

IP Rating

Ingress protection of IP65 for dust and water

COMPLIANCE

UL Listed

Suitable for wet locations

ELECTRICAL

Drivers:

Constant Current, Class 2, 120V, 50/60 Hz

SA-SLWP: 0.07A@120V, 0.04A @208V, 0.04A @240V, 0.04A @277V

SA-SLB: 0.08A@120V, 0.05A @208V, 0.04A @240V, 0.04A @277V

Surge Protection

2kV (L-N)

THD / Power factor:

MODEL#	THD	PF	THD	PF
	120V		277V	
SA-SLWP	8.6%	99.0%	21.4%	90.3%
SA-SLB	8.5%	99.1%	16.4%	92.7%
SA-SLWP/RGB:				
RED	17.9%	91.7%	35.9%	62.0%
GREEN	17.9%	91.6%	35.7%	61.9%
BLUE	18.1%	91.5%	35.9%	61.9%
2200K	11.7%	96.3%	30.2%	69.6%
2700K	11.2%	96.9%	27.6%	72.1%
3000K	10.7%	97.5%	25.6%	74.9%
3500K	9.9%	98.5%	19.2%	83.3%
4000K	9.4%	99.1%	13.4%	90.4%

ELECTRICAL

THD / Power factor:

MODEL#	THD	PF	THD	PF
	120V		277V	
SA-SLB/RGB:				
RED	15.6%	90.2%	19.9%	49.3%
GREEN	15.3%	90.4%	20.1%	49.1%
BLUE	15.8%	90.1%	20.0%	48.9%
2200K	13.1%	95.1%	17.5%	59.1%
2700K	12.9%	96.0%	16.1%	63.5%
3000K	12.8%	96.3%	15.7%	65.6%
3500K	12.4%	97.5%	13.4%	73.8%
4000K	8.7	99.1%	9.5%	88.9%

Note: All values are typical (tolerance +/- 10%)

LED CHARACTERISTICS

LEDS

Long-life, high-efficacy, surface-mount LEDs

Color Uniformity

RAB's range of Correlated Color Temperature follows the guidelines of the American National Standards for Specifications for the Chromaticity of Solid State Lighting (SLL) Products, ANSI C78.377-2017.

Color Temperature

Default: 3000K

/RGB models are adjustable using the Lightcloud Blue mobile app

Tunable White 2200K - 4000K

16+ million RGB color

LIGHTCLOUD BLUE

LIGHTCLOUD BLUE ENABLED

Lightcloud Blue (LCB) is a Bluetooth Mesh wireless lighting control System that allows you to control RAB's various compatible devices. With RAB's patented Rapid Provisioning technology, devices can be quickly and easily commissioned for residential and large commercial applications using the Lightcloud Blue mobile app. Each device in a system can communicate with any other device, eliminating the need for a Gateway or Hub and maximizing the control system's reach.

DLC system - N1XMLOEATBA (Interior); NHCZ2BIA17L (Exterior)

Learn more at www.lightcloud.com

OTHER

Warranty

The RAB 5-year, limited warranty covers light output, driver performance and paint finish. RAB's warranty is subject to all terms and conditions found at rablighting.com/warranty.

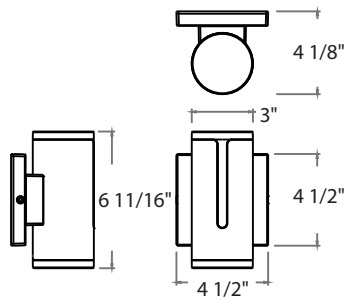
SAGE: SLOT Landscape Lighting



DIMENSIONS

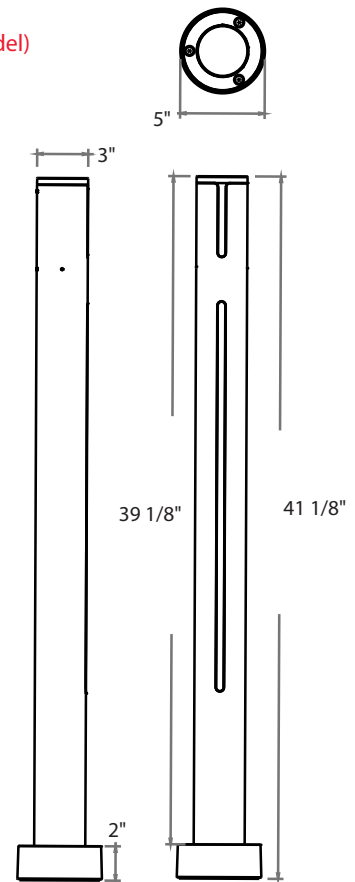
SA-SLWP

Weight: 2.71 lbs
Weight: 3.09 lbs (RGB Model)



SA-SLB

Weight: 4.32 lbs
Weight: 4.41 lbs (RGB Model)



ORDERING MATRIX

SAGE (SLOT)

FAMILY		SHAPE	TYPE		CCT	FINISH		DRIVER	OPTIONS	
SA	-	SL								
		SL	Slot	WP B	Wall Sconce Bollard	BLANK BLANK	3000K 2200K-4000K* Tunable White	BLANK Matte Bronze	BLANK 120-277V	Blank /RGB No Option 16+ million colors

* Applies to RGB models only

SAGE: TILE Landscape Lighting



SA-TWP
Wall Sconce



SA-TB
Bollard



PROJECT: _____

DATE: _____

TYPE: _____

PREPARED BY: _____



KEY FEATURES

- SAGE TILE is available in two models:
SA-TWP: Wall Sconce
SA-TB: Bollard
- CCT: 3000K or RGBW color tuning with Lightcloud Blue
- RGB models directly connect to the Lightcloud Blue mobile app via Bluetooth. No Gateway or Hub required
- Voltage Rating: 120-277V
- IP65 rated
- 5-year, limited warranty

Color-tunable, architectural landscape lighting



* Select Models

PERFORMANCE

SA-TWP/RGB	RED	GREEN	BLUE	2200K	2700K	3000K	3500K	4000K	SA-TWP	3000K
INPUT WATTS	2.40W	2.40W	2.39W	3.35W	3.85W	4.42W	6.94W	8.06W	INPUT WATTS	8.40W
LUMENS	6	14	2	18	27	37	81	116	LUMENS	140
EFFICACY	2.5	5.8	0.8	5.4	7.0	8.4	11.7	14.4	EFFICACY	16.7
CRI				62	79	89	94	85	CRI	85
VOLTAGE RATINGS	120-277V								VOLTAGE RATINGS	120-277V

SA-TB/RGB	RED	GREEN	BLUE	2200K	2700K	3000K	3500K	4000K	SA-TB	3000K
INPUT WATTS	2.36W	2.36W	2.35W	3.30W	3.78W	4.38W	6.92W	8.06W	INPUT WATTS	8.25W
LUMENS	6	14	2	18	26	38	82	116	LUMENS	137
EFFICACY	2.5	5.9	0.9	5.5	6.9	8.7	11.8	14.4	EFFICACY	16.6
CRI				63	78	89	94	85	CRI	86
VOLTAGE RATINGS	120-277V								VOLTAGE RATINGS	120-277V

Lifespan

100,000-hour LED lifespan based on IES LM-80 results and TM-21 calculations

TECHNICAL SPECIFICATIONS

CONSTRUCTION

Cold Weather Starting

Minimum starting temperature is -40°C (-40°F)

Maximum Ambient Temperature

Suitable for use in up to 45°C (113°F)

Housing

Die-cast aluminum

Mounting

SA-TWP: Octangular J-Box or bracket for the wall-mount (J-Box not provided)

SA-TB: 4pcs anchor bolts for mounting

Lens

Polycarbonate

Gaskets

Silicone

Green Technology

Mercury and UV free. RoHs-compliant components.

Finish

Formulated for high durability and long lasting color. Available matte bronze finish.

IP Rating

Ingress protection of IP65 for dust and water

COMPLIANCE

UL Listed

Suitable for wet locations

ELECTRICAL

Drivers:

Constant Current, Class 2, 120V, 50/60 Hz

SA-TWP: 0.07A@120V, 0.04A @208V, 0.04A @240V, 0.04A @277V

SA-TB: 0.07A@120V, 0.04A @208V, 0.04A @240V, 0.04A @277V

Surge Protection

2kV (L-N)

THD / Power factor:

MODEL#	THD	PF	THD	PF
	120V		277V	
SA-TWP	9.3%	98.9%	20.9%	90.4%
SA-TB	9.1%	98.9%	21.5%	90.3%
SA-TWP/RGB:				
RED	14.2%	91.7%	18.2%	51.3%
GREEN	14.4%	91.7%	17.9%	51.6%
BLUE	14.3%	91.6%	18.2%	51.0%
2200K	12.3%	95.8%	15.2%	62.4%
2700K	12.1%	96.7%	14.2%	67.2%
3000K	11.7%	97.4%	13.0%	71.8%
3500K	10.7%	98.7%	9.5%	84.7%
4000K	10.0%	99.0%	8.8%	87.7%

ELECTRICAL

THD / Power factor (Continued):

MODEL#	THD	PF	THD	PF
	120V		277V	
SA-TB/RGB:				
RED	15.4%	90.9%	19.1%	50.3%
GREEN	15.6%	90.9%	19.4%	50.2%
BLUE	15.6%	90.9%	19.3%	50.0%
2200K	11.9%	95.5%	16.6%	60.9%
2700K	11.5%	96.5%	14.9%	66.0%
3000K	11.2%	97.3%	14.0%	70.8%
3500K	10.2%	98.7%	10.0%	83.9%
4000K	9.5%	99.0%	9.1%	87.2%

Note: All values are typical (tolerance +/- 10%)

LED CHARACTERISTICS

LEDS

Long-life, high-efficacy, surface-mount LEDs

Color Uniformity

RAB's range of Correlated Color Temperature follows the guidelines of the American National Standards for Specifications for the Chromaticity of Solid State Lighting (SLL) Products, ANSI C78.377-2017.

Color Temperature

Default: 3000K

/RGB models are adjustable using the Lightcloud Blue mobile app

Tunable White 2200K - 4000K

16+ million RGB color

LIGHTCLOUD BLUE

LIGHTCLOUD BLUE ENABLED

Lightcloud Blue (LCB) is a Bluetooth Mesh wireless lighting control System that allows you to control RAB's various compatible devices. With RAB's patented Rapid Provisioning technology, devices can be quickly and easily commissioned for residential and large commercial applications using the Lightcloud Blue mobile app. Each device in a system can communicate with any other device, eliminating the need for a Gateway or Hub and maximizing the control system's reach.

DLC system - N1XMLOEATBA (Interior); NHCZ2BIA17L (Exterior)

Learn more at www.lightcloud.com

OTHER

Warranty

The RAB 5-year, limited warranty covers light output, driver performance and paint finish. RAB's warranty is subject to all terms and conditions found at rablighting.com/warranty.

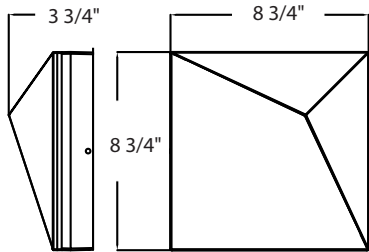
SAGE: TILE Landscape Lighting



DIMENSIONS

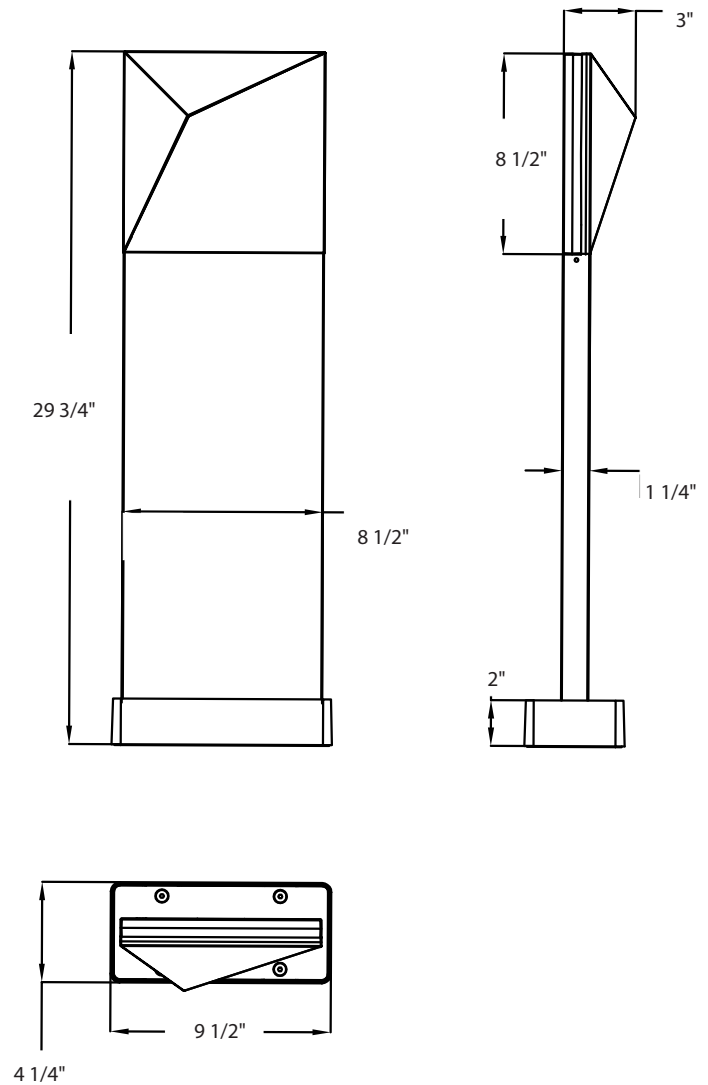
SA-TWP

Weight: 4.41 lbs



SA-TB

Weight: 9.48 lbs



ORDERING MATRIX

SAGE (TILE)

FAMILY	SHAPE	TYPE	CCT	FINISH	DRIVER	OPTIONS
SA	T	WP	BLANK	BLANK	BLANK	Blank
-	T	B	BLANK	Matte Bronze	120-277V	/RGB
	Tile	Wall Sconce Bollard	3000K 2200K-4000K * Tunable White			No Option 16+ million colors

* Applies to RGB models only