



LED MR16

7MR16/LED/827/F35/DIM 12V 10/1FB

Philips LED MR-16 lamps with single optic technology provide the look and color quality of traditional halogens while using a fraction of the energy. A perfect fit for spot lighting, they are compatible with most existing fixtures with MR16 GU5.3 holders and are designed as a retrofit replacement for halogen or incandescent spots.

Product data

General Information	
Cap-Base	GU5.3 [GU5.3]
EU RoHS compliant	Yes
Nominal Lifetime (Nom)	25000 h
Switching Cycle	50000X
Light Technical	
Color Code	827 [CCT of 2700K]
Beam Angle (Nom)	35 °
Luminous Flux (Nom)	515 lm
Luminous Intensity (Nom)	1350 cd
Color Designation	Warm White (WW)
Correlated Color Temperature (Nom)	2700 K
Luminous Efficacy (rated) (Nom)	73.00 lm/W
Color Consistency	<4
Color Rendering Index (Nom)	80
LLMF At End Of Nominal Lifetime (Nom)	70 %
Operating and Electrical	
Input Frequency	- Hz
Power (Nom)	7 W
Lamp Current (Nom)	650 mA

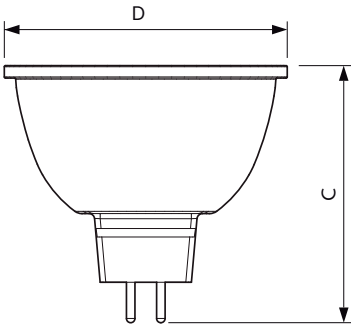
Wattage Equivalent	50 W
Starting Time (Nom)	0.5 s
Warm Up Time to 60% Light (Nom)	0.5 s
Power Factor (Nom)	0.7
Voltage (Nom)	ac electronic 12 V
Temperature	
T-Case Maximum (Nom)	90 °C
Controls and Dimming	
Dimmable	Only with specific dimmers
Mechanical and Housing	
Bulb Shape	MR16 [2inch/50mm]
Approval and Application	
Suitable For Accent Lighting	Yes
Product Data	
Order product name	7MR16/LED/827/F35/DIM 12V 10/1FB
EAN/UPC - Product	046677573881
Order code	929003076404

LED MR16

Numerator - Quantity Per Pack	1
Numerator - Packs per outer box	10
Material Nr. (12NC)	929003076404

Net Weight (Piece)	0.060 kg
--------------------	----------

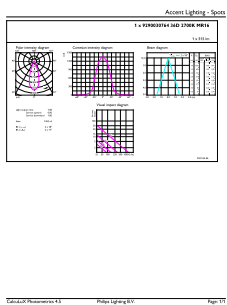
Dimensional drawing



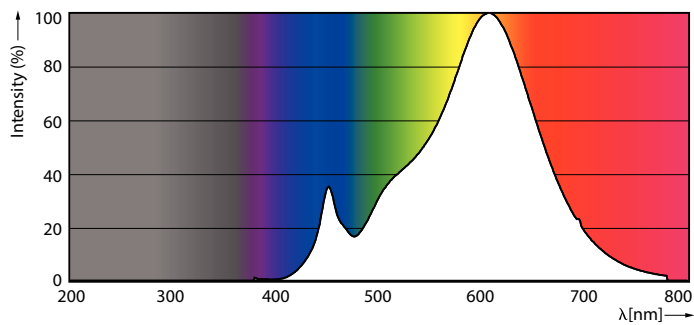
MR16 12V 7.3-50W 515lm 35D 2700K GU5.3 D

Product	D	C
7MR16/LED/827/F35/DIM 12V 10/1FB	50 mm	46.5 mm

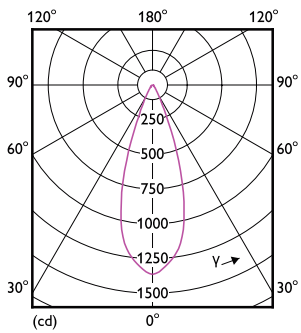
Photometric data



LEDspots DIM IC 7W MR16 GU5,3 827 35D-ADL



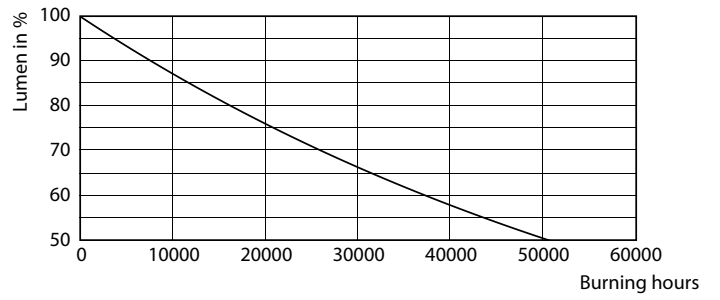
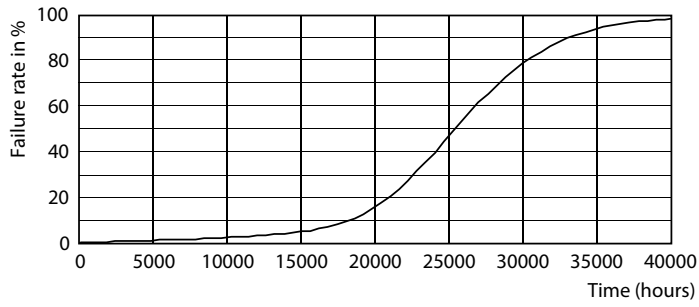
LEDspots DIM IC 7W MR16 GU5,3 827 25D-POC



LEDspots DIM IC 7W MR16 GU5,3 827 35D-LDD

LED MR16

Lifetime



LEDspots LED 25K

LEDspots LMP 25K

