



LED MR16

8MR16/LED/830/F35/DIM 12V 10/1FB

Philips LED MR-16 lamps with single optic technology provide the look and color quality of traditional halogens while using a fraction of the energy. A perfect fit for spot lighting, they are compatible with most existing fixtures with MR16 GU5.3 holders and are designed as a retrofit replacement for halogen or incandescent spots.

Product data

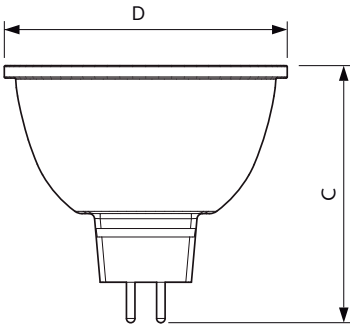
General Information		Wattage Equivalent	
Cap-Base	GU5.3 [GU5.3]		75 W
EU RoHS compliant	Yes	Starting Time (Nom)	0.5 s
Nominal Lifetime (Nom)	25000 h	Warm Up Time to 60% Light (Nom)	0.5 s
Switching Cycle	50000X	Power Factor (Nom)	0.7
		Voltage (Nom)	ac electronic 12 V
Light Technical		Temperature	
Color Code	830 [CCT of 3000K]	T-Case Maximum (Nom)	93 °C
Beam Angle (Nom)	35 °		
Luminous Flux (Nom)	620 lm	Controls and Dimming	
Luminous Intensity (Nom)	1700 cd	Dimmable	Only with specific dimmers
Color Designation	White (WH)		
Correlated Color Temperature (Nom)	3000 K	Mechanical and Housing	
Luminous Efficacy (rated) (Nom)	77.00 lm/W	Bulb Shape	MR16 [2inch/50mm]
Color Consistency	<4		
Color Rendering Index (Nom)	80	Approval and Application	
LLMF At End Of Nominal Lifetime (Nom)	70 %	Suitable For Accent Lighting	Yes
Operating and Electrical		Product Data	
Input Frequency	- Hz	Order product name	8MR16/LED/830/F35/DIM 12V 10/1FB
Power (Nom)	8 W	EAN/UPC - Product	046677573942
Lamp Current (Nom)	720 mA	Order code	929003072804

LED MR16

Numerator - Quantity Per Pack	1
Numerator - Packs per outer box	10
Material Nr. (12NC)	929003072804

Net Weight (Piece)	0.060 kg
--------------------	----------

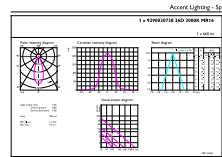
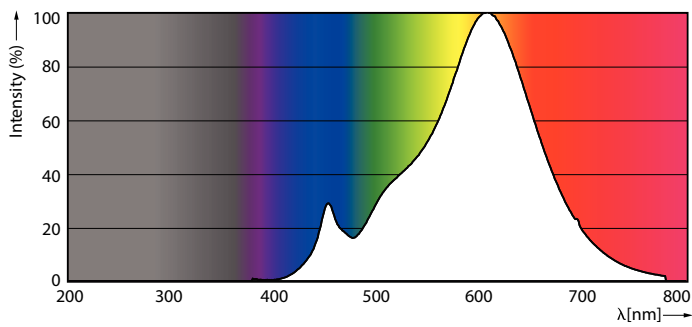
Dimensional drawing



MR16 12V 8-50W 660lm 36D 3000K GU5.3 D

Product	D	C
8MR16/LED/830/F35/DIM 12V 10/1FB	50 mm	46.5 mm

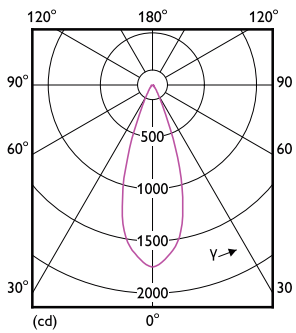
Photometric data



PRODUCT PHOTOGRAPHY BY: PHOTO LIGHTING, LLC PAGE 1/1

LEDspots DIM IC 8W MR16 GU5,3 830 25D-POC

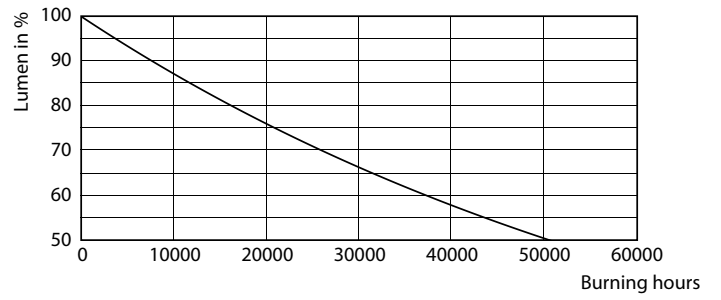
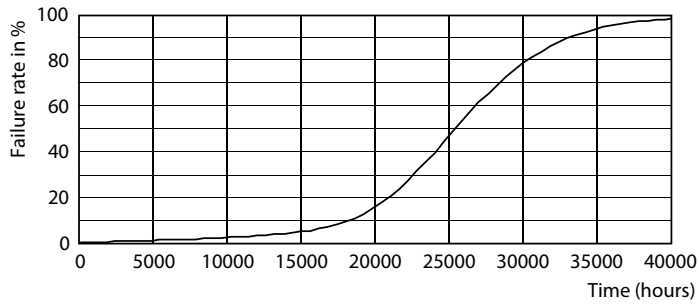
LEDspots DIM IC 8W MR16 GU5,3 830 35D-ADL



LEDspots DIM IC 8W MR16 GU5,3 827 35D-LDD

LED MR16

Lifetime



LEDspots LED 25K

LEDspots LMP 25K

