



LED MR16

8MR16/LED/827/F25/DIM 12V 10/1FB

Philips LED MR-16 lamps with single optic technology provide the look and color quality of traditional halogens while using a fraction of the energy. A perfect fit for spot lighting, they are compatible with most existing fixtures with MR16 GU5.3 holders and are designed as a retrofit replacement for halogen or incandescent spots.

Product data

General Information	
Cap-Base	GU5.3 [GU5.3]
EU RoHS compliant	Yes
Nominal Lifetime (Nom)	25000 h
Switching Cycle	50000X

Light Technical	
Color Code	827 [CCT of 2700K]
Beam Angle (Nom)	25°
Luminous Flux (Nom)	600 lm
Luminous Intensity (Nom)	3100 cd
Color Designation	Warm White (WW)
Correlated Color Temperature (Nom)	2700 K
Luminous Efficacy (rated) (Nom)	75.00 lm/W
Color Consistency	<4
Color Rendering Index (Nom)	80
LLMF At End Of Nominal Lifetime (Nom)	70 %

Operating and Electrical	
Input Frequency	- Hz
Power (Nom)	8 W
Lamp Current (Nom)	720 mA

Temperature	
T-Case Maximum (Nom)	93 °C

Controls and Dimming	
Dimmable	Only with specific dimmers

Mechanical and Housing	
Bulb Shape	MR16 [2inch/50mm]

Approval and Application	
Suitable For Accent Lighting	Yes

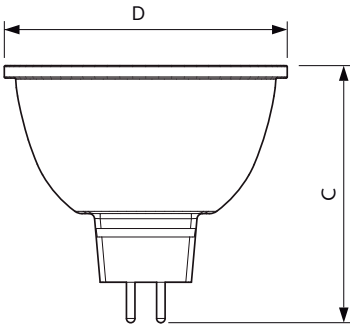
Product Data	
Order product name	8MR16/LED/827/F25/DIM 12V 10/1FB
EAN/UPC - Product	046677573904
Order code	929003072504

LED MR16

Numerator - Quantity Per Pack	1
Numerator - Packs per outer box	10
Material Nr. (12NC)	929003072504

Net Weight (Piece)	0.060 kg
--------------------	----------

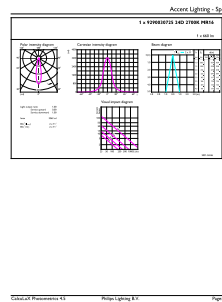
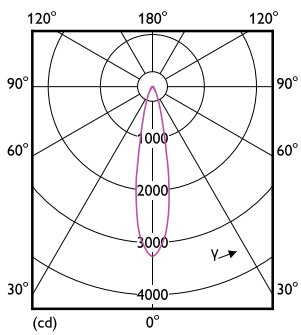
Dimensional drawing



MR16 12V 8-50W 660lm 24D 2700K GU5.3 D

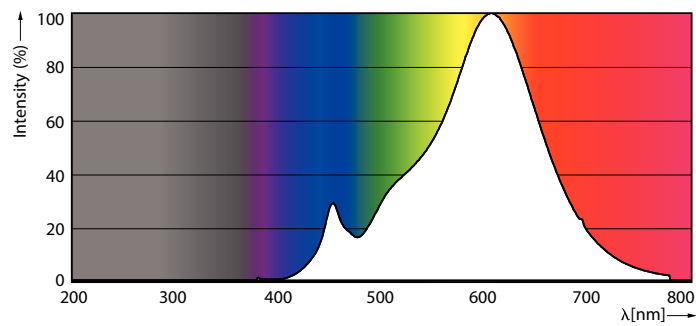
Product	D	C
8MR16/LED/827/F25/DIM 12V 10/1FB	50 mm	46.5 mm

Photometric data



LEDspots DIM IC 8W MR16 GU5,3 827 25D-LDD

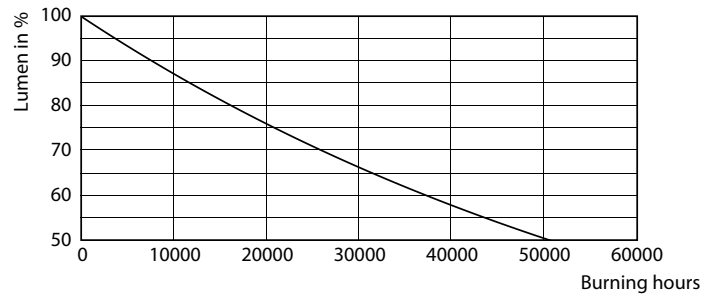
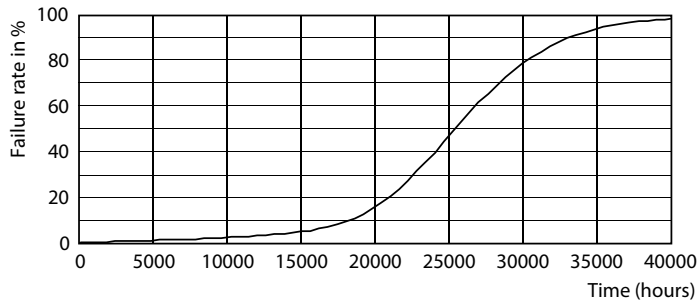
LEDspots DIM IC 8W MR16 GU5,3 827 25D-ADL



LEDspots DIM IC 8W MR16 GU5,3 827 25D-POC

LED MR16

Lifetime



LEDspots LED 25K

LEDspots LMP 25K

