



LED Designer Deco

26UFO/PER/830/FR/P/E26/ND 4/1PF

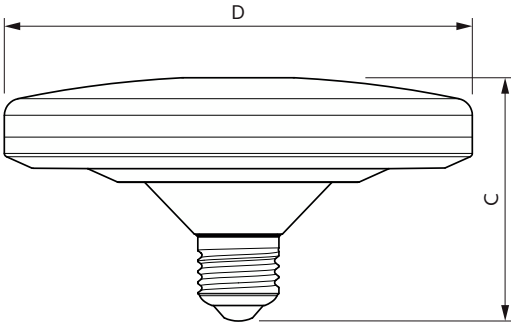
Philips LED Designer Deco lamps allow you to maintain a warm, classic light or a modern, chic effect while providing longer life and energy savings

Product data

General information	
Cap-Base	E26 [Single Contact Medium Screw]
EU RoHS compliant	Yes
Nominal Lifetime (Nom)	15000 h
Switching Cycle	50000
Light technical	
Color Code	830 [CCT of 3000K]
Beam Angle (Nom)	120 °
Luminous Flux (Nom)	1950 lm
Color Designation	White (WH)
Correlated Color Temperature (Nom)	3000 K
Luminous Efficacy (rated) (Nom)	75 lm/W
Color Consistency	<6
Color Rendering Index (Nom)	80
LLMF At End Of Nominal Lifetime (Nom)	70 %
Operating and electrical	
Input Frequency	50 to 60 Hz
Power (Nom)	26 W
Lamp Current (Nom)	360 mA
Wattage Equivalent	125 W
Starting Time (Nom)	0.5 s
Warm Up Time to 60% Light (Nom)	0.5 s
Power Factor (Nom)	0.5

Voltage (Nom)	110-240 V
Temperature	
T-Ambient (Max)	45 °C
T-Ambient (Min)	-20 °C
T-Case Maximum (Nom)	72 °C
Controls and dimming	
Dimmable	No
Mechanical and housing	
Bulb Finish	Frosted
Bulb Material	Plastic
Bulb Shape	Others
Product data	
Full product code	871951441031200
Order product name	26UFO/PER/830/FR/P/E26/ND 4/1PF
EAN/UPC - Product	046677577001
Order code	929002010753
Numerator - Quantity Per Pack	1
Numerator - Packs per outer box	4
Material Nr. (12NC)	929002010753
Net Weight (Piece)	0.255 kg

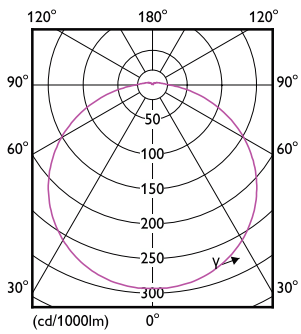
Dimensional drawing



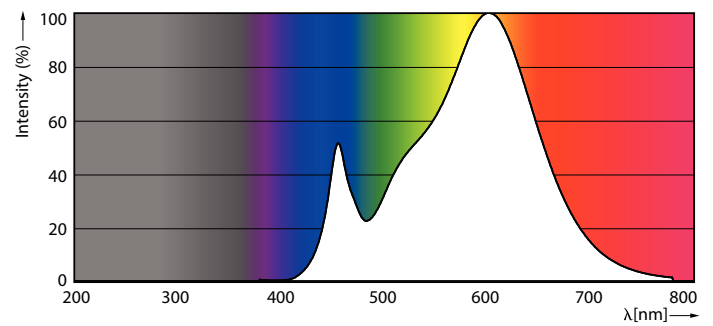
26UFO/PER/830/FR/P/E26/ND 4/1PF

Product	D	C
26UFO/PER/830/FR/P/E26/ND 4/1PF	200 mm	77 mm

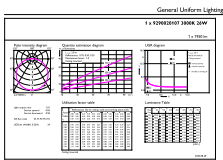
Photometric data



Light Distribution Diagram



Spectral Power Distribution Colour



General uniform lighting

LED Designer Deco

Lifetime



Life Expectancy Diagram

Lumen Maintenance Diagram

