

Project: _____
 Location: _____
 Cat.No: _____
 Type: _____
 Lamps: _____ Qty: _____
 Notes: _____

Breaking new ground with optimal versatility, the Hadco FlexScope BL9 has zoomable optics (15° to 35°) & 60° by switching optic element. This adjustable luminaire also has the ability to switch light output in 4 steps.

Ordering guide

Example: IL9DC-A

Series	Lamping	CCT	Finish
IL9	D	-	
IL9 Low Voltage 9W Inground Lighting	D LED	W Warm (3000K) C Cool (4000K)	A Black

Features

- Housing/Construction:** Black Injection molded, glass filled polyester, molded-in fins for thermal performance as well as to discourage heaving and twisting after installation. Molded-in brass inserts for repeatable opening / closing. Lens ring secured with three (3) screws that clamp lens and gasket into place, flush for ADA compliance and repeatable sealing.
- Electrical:** 10W (on high setting) Input voltage range (VAC): 10-14. Pre-wired with a 3-ft. pigtail for easy hookup to the low voltage supply cable. Driver housed in injected molded case with electronics encapsulated. 12V class 2 driver with integral switch for 4 preset light levels.
- LED Board and Array:** Single Luxeon M LED.
- Controls:** 12 Volt Class 2 driver with integral switch provides simple customer access to the adjustment between 4 present light levels.

- Optical Systems:** Low iron-tempered clear glass, molded gasket slips onto lens without tools or RTV. Zoomable optic / Injection molded acrylic (PMMA) clear, highly polished molded with select surfaces textured. Inter-changeable lens provides Narrow 15° to Medium 35° beam pattern depending on the position, Inter-changeable lens provides Wide 60° flood output. Limited Aiming: Heatsink doubles as an aiming apparatus, providing a range of 30° (15° from center both ways). Aiming can be adjusted after easy removal of three screws on lens ring.

Finish

Composite is textured, pressure formed, black molded-in-color.

Lamps

Integral LED module

Power Supply

Fixtures can be used with the HADCO Low Voltage Transformers series TC152, TSS, TC. Power supplies are available in 150W / 300W / 600W and 900W. Ask your Philips representative for a full list of options.

Watts Consumed / Needed to Drive	2.0 W	4.5 W	8.6 W	0.7 W
mA	230	600	1100	1500
3K 15°	111	235	419	554
3K 35°	129	273	485	642
3K 60°	115	245	436	571
4K 15°	118	262	465	587
4K 35°	137	303	539	681
4K 60°	122	272	484	606

IP68 Rating

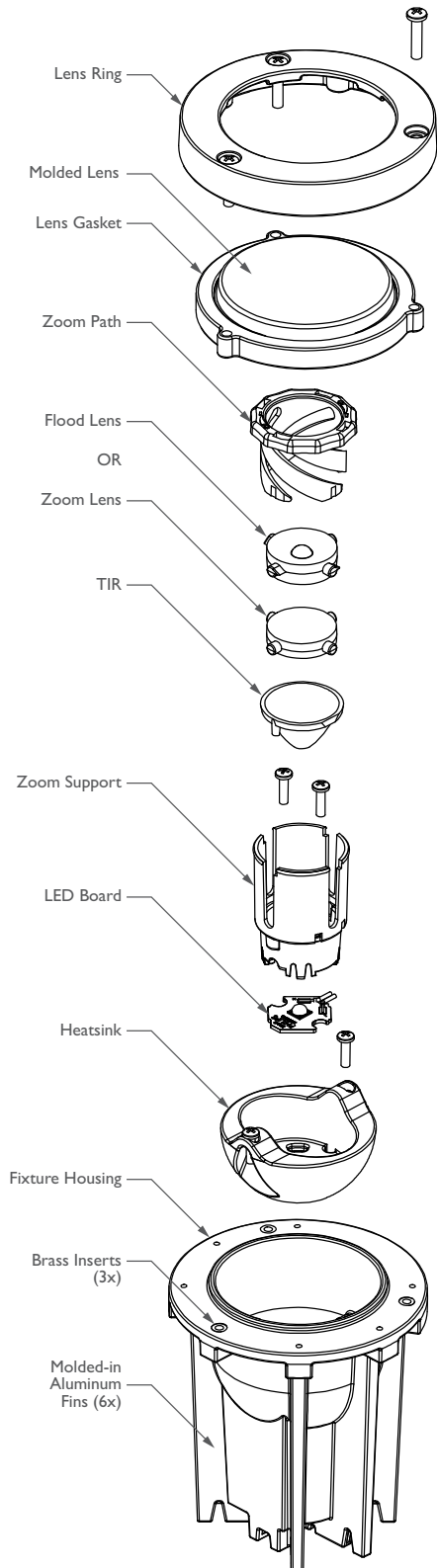
Dust-tight and sealed against direct jets of water and against continuous immersion up to a depth of 1 meter (3.28 feet).

Labels

ETL Listed to U.S. safety standards for wet locations. cETL listed to Canadian safety standards for wet locations. Manufactured to ISO 9001:2008 Standards. 5-year limited warranty.

IL9 FlexScape

Inground bullet



Component	Material	Finish	Feature /Function
1. Lens Ring	Injection molded, glass filled polyester	Black, texture on top surface only	Lens ring secures with three (3) Phillips-head screws. Clamps lens and gasket into place, flush for ADA compliance.
2. Molded Lens	Molded, low-iron, tempered	Clear (glass)	Environmental barrier, sealing, flush for ADA compliance, slight curvature to shed water and debris.
3. Lens Gasket	100% molded-silicone	Black	Molded gasket slips onto lens without tools or RTV.
4. Zoom Path	Injection-molded, UV-resistance polycarbonate	White ¹	Tool-lessly adjustable/removable path for Zoom Lens and Flood Lens, high brightness white for maximum light output.
5. Flood Lens ³	Injection-molded acrylic (PMMA)	Clear ²	Interchangeable lens provides 60° flood output.
6. Zoom Lens ³	Injection-molded acrylic (PMMA)	Clear ²	Interchangeable lens provides 15° to 35° beam depending on position.
7. TIR	Injection-molded acrylic (PMMA)	Clear ²	Snap-in optic shapes beam for zoom and flood lenses.
8. Zoom Support	Injection-molded, UV-resistance polycarbonate	White ¹	Support for TIR and Zoom Path, locates optics precisely relative to LED, high brightness white for maximum light output.
9. LED Board	Philips Lumileds Luxeon M	White solder mask, silk screen printing	Custom PCB with Philips Lumileds Luxeon M, 3000K/4000K.
10. Heatsink	Injection molded zinc	As cast	Spherical shape enables aiming while transferring heat to exterior housing for better thermal performance.
11. Fixture Housing	Injection molded, glass-filled polyester, molded-in aluminum fins, molded-in brass inserts	Black	Housing includes molded-in metal fins for thermal performance, molded-in brass inserts for repeatable opening/closing. External fins aid thermal management and discourage "heaving" and twisting after installation. Incoming wires factory sealed including anti-wicking feature.

1. Highly polished molded.

2. Highly polished molded, select surfaces textured.

3. Select from either a Zoom or Flood lens optics for customized lighting effects.

