

NeoVisionMini

24VDC Neon LED Tape Specification Sheet

GM Lighting®

PRODUCT OVERVIEW

Narrow profile LED with curvable Side-Flex is a 4mm wide slim profile LED neon light designed for flexible and dynamic lighting applications. It features a horizontal bend capability, allowing for versatile installation in intricate designs. Designed for applications that require ultra-rich light and color saturation. Available in 2700K, 3000K, and 4000K White LEDs, providing a range of color temperatures suitable for various lighting needs. The well-diffused light output ensures even, soft, and eye-friendly illumination. IP65 waterproof standards, ensuring durability and suitability for both indoor and outdoor use.

FEATURES

- Designed for simple field assembly
- 4mm W X 8mm H
- Tape encased in UV resistant silicone
- Dimmable
- White and color LED options
- 120° viewing angle
- Maximum run: 16'4", custom cuts available - see factory

SPECIFICATIONS

ELECTRICAL

- 24VDC
- 2W per foot

PHOTOMETRIC

- White: 2700K, 3000K
or 4000K at 90+ CRI, 9>50

CERTIFICATION

- cULus
- IP65

ENVIRONMENTAL

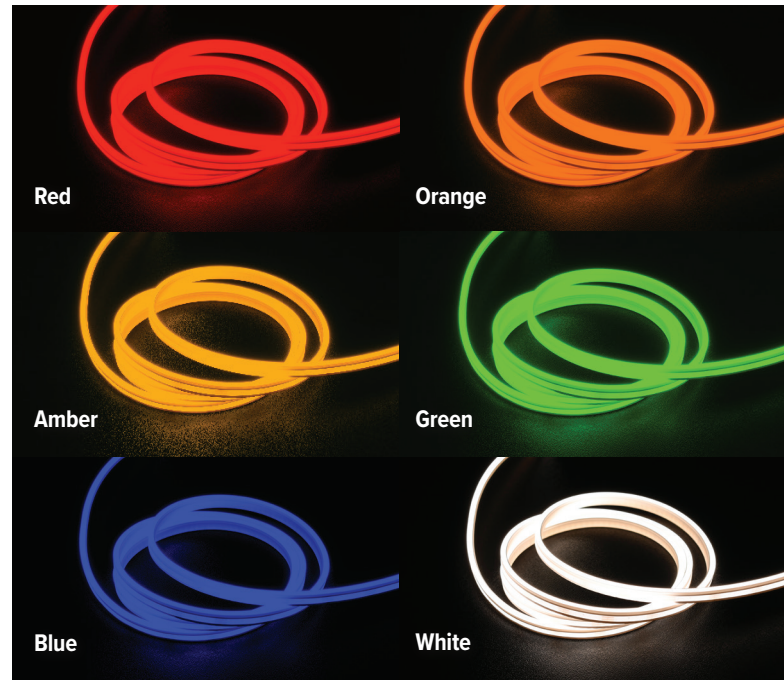
- Outdoor & wet location rated
- UV resistant
- Ambient operating temp:
-4°F to +104°F (-20°C to +40°C)

WARRANTY

- 5 years

Project Name	Type
--------------	------

Catalog #	Date
-----------	------



NeoVisionMini

24VDC Neon LED Tape

Specification Sheet

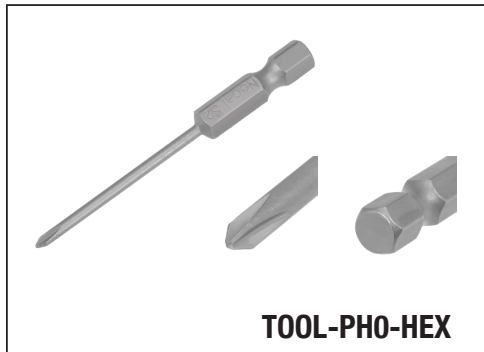
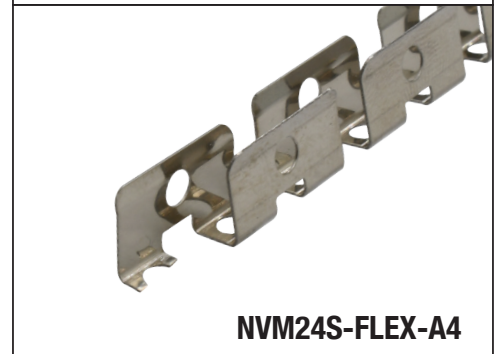
ORDERING INFORMATION

Example: NVM24S-2W-27K-16

Catalog No.	Watts/Ft Max.	Color Temp	Lumens/Ft	Max. Run
NVM24S-2W-27K-16	2W	2700K	70 Lm	16 ft 4 in
NVM24S-2W-30K-16	2W	3000K	68 Lm	16 ft 4 in
NVM24S-2W-40K-16	2W	4000K	59 Lm	16 ft 4 in
NVM24S-2W-AM-16	2W	Amber (590nm pk)	14 Lm	16 ft 4 in
NVM24S-2W-BL-16	2W	Blue (470nm pk)	13 lm	16 ft 4 in
NVM24S-2W-GR-16	2W	Green (519nm pk)	59 lm	16 ft 4 in
NVM24S-2W-OR-16	2W	Orange (610nm pk)	15 lm	16 ft 4 in
NVM24S-2W-RD-16	2W	Red (630nm pk)	7 lm	16 ft 4 in

ACCESSORIES

Catalog No.	Description
NVM24S-EC	End Cap, Molded Silicone (sealant not included)
NVM24S-MC-A	Back Mounting Clips, Aluminum (20 clips, 20 SS screws)
NVM24S-CHL-A4	Rigid Channel, Aluminum, 4ft
NVM24S-FLEX-CHL	Flexible Channel, Stainless Steel, 1m 105 holes & screws
TAPE-DS-VHB-4MMW	4mm wide x 6m VHB tape
TOOL-PH0-HEX	PH0 Philips head, 1/4" hex drive bit



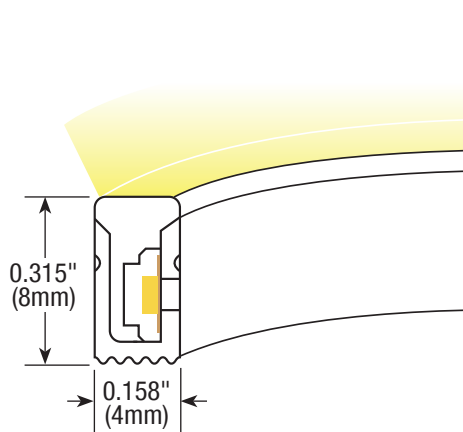
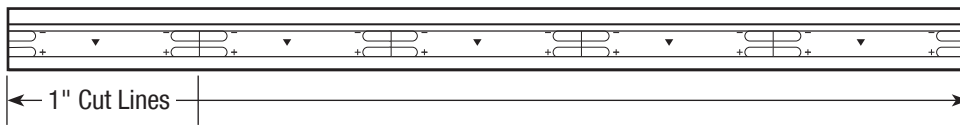
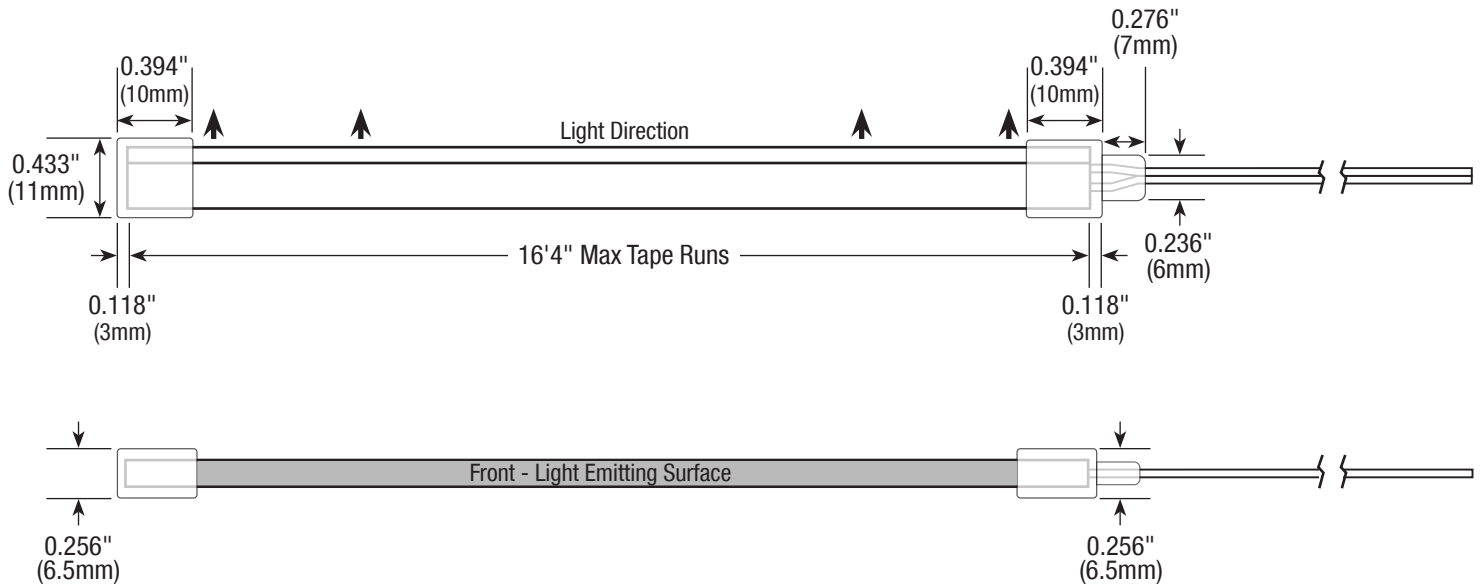
NeoVisionMini

24VDC Neon LED Tape

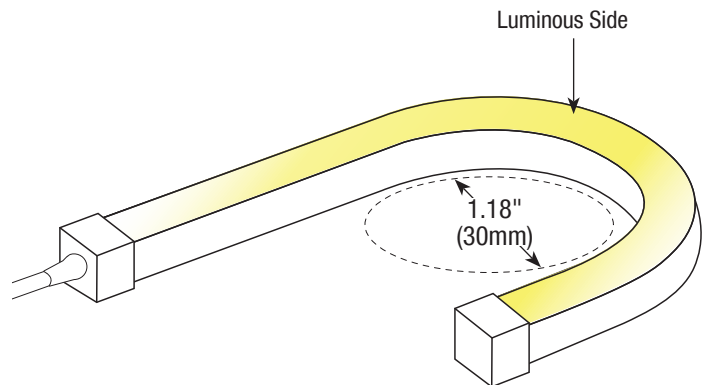
Specification Sheet

DIMENSIONS

NVM24S-2W



NVM24S
Cross Section



NVM24S
Minimum Bending Diameter

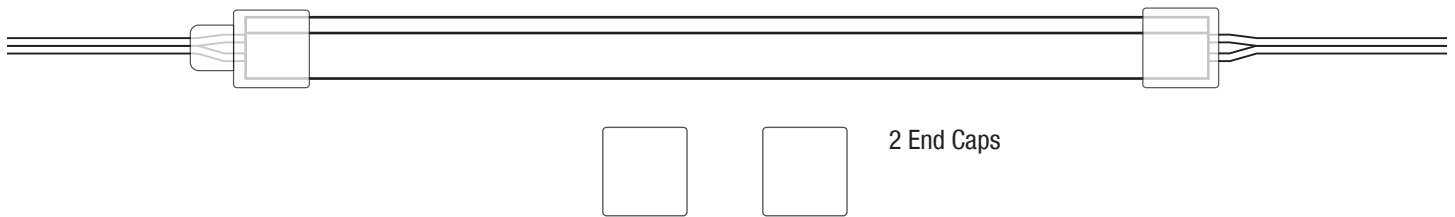
NeoVisionMini

24VDC Neon LED Tape

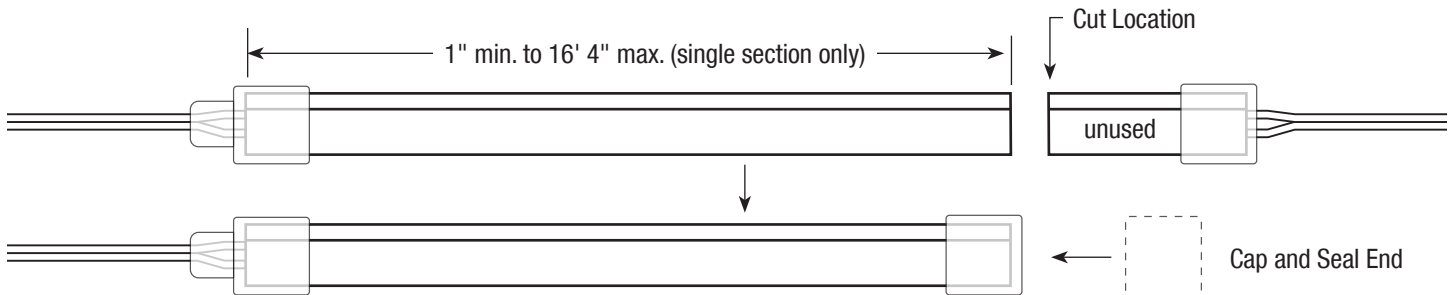
Specification Sheet

FIELD ASSEMBLY

- Field assembly is simple with the Neovision Mini Neon tape. Adjust to fit with 1" cut increments.
- Parts Included: Full length reel is 16'-6".
4' power feed at each end. 2x feeds. 2 end caps.
- One reel can make 1 or 2 cut sections. An extra 2" is included to allow for cut end sections.

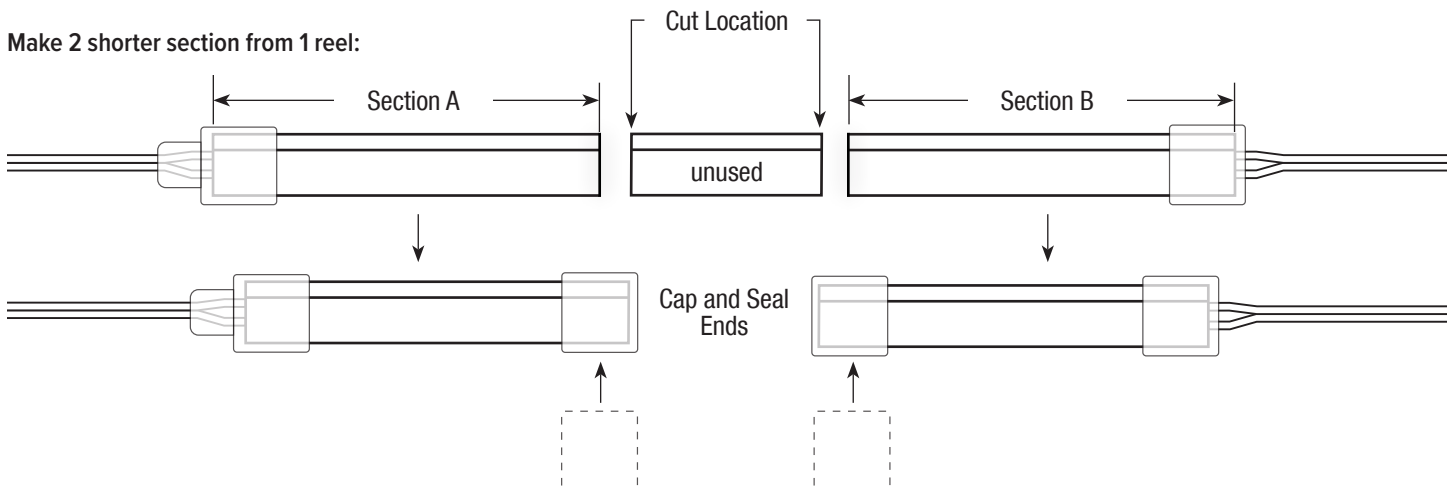


Make 1 long section from one reel:



$A + B = 16' 6''$ max. (used as separate sections)

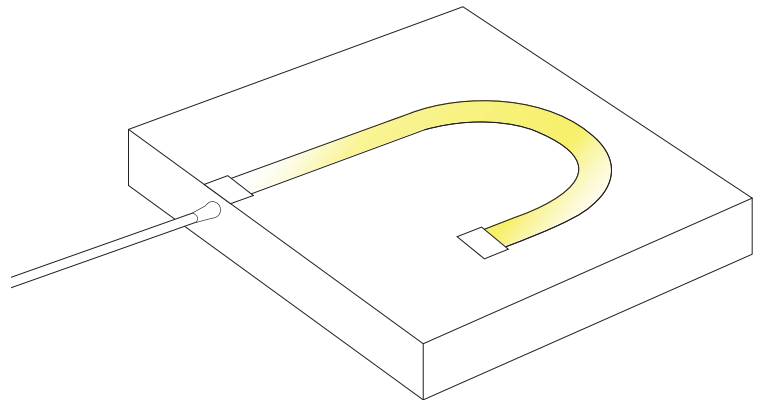
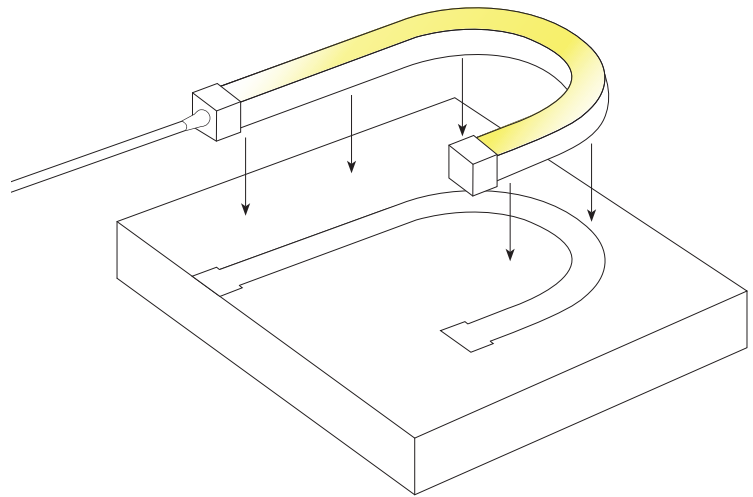
Make 2 shorter section from 1 reel:



Recessed Mounting Tips for Flush Mount Applications:

It is best to layout the Neon tape in the shape desired to estimate location of cut point and end caps. DO NOT CUT TAPE UNTIL ROUTING IS COMPLETE AND A TEST FIT FOR LENGTH IS DONE.

- It is best to experiment with the right depth to get the desired effect.
- Material thickness should be thicker than your routing depth.
- A hand held router may be all that is needed for straight or slightly curved shapes.
- A CNC router is best for complex shapes.
- Use a 5/32" (4mm) wide bit routing down to 0.315" (8mm) for the main tape sections.
- Use a 5/16" (8mm) wide bit routing down to 0.394" (10mm) for end caps. (Note that end caps will be raised 1mm)
- You can route out shallower or deeper for different effects.



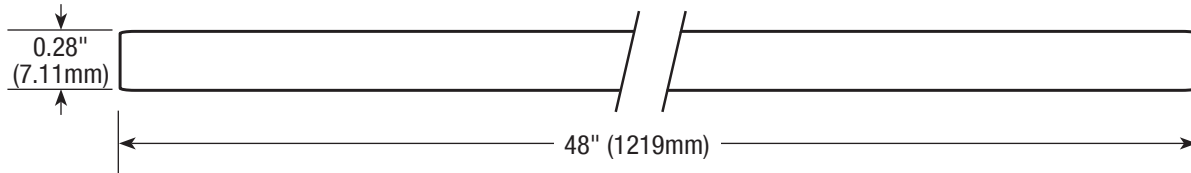
NeoVisionMini

24VDC Neon LED Tape

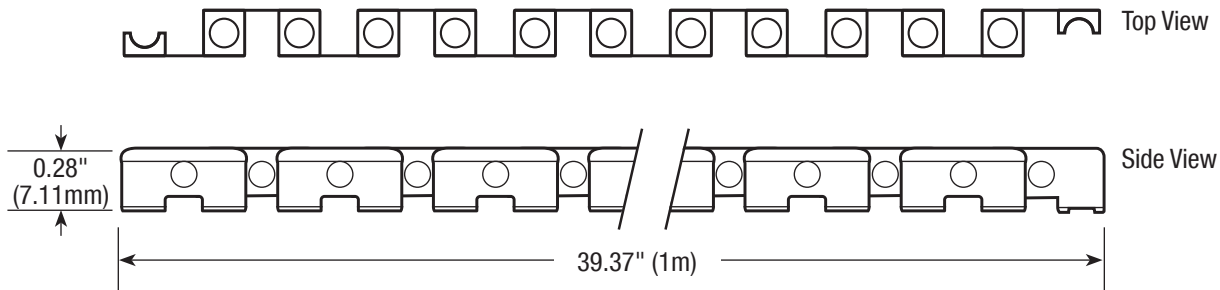
Specification Sheet

DIMENSIONS

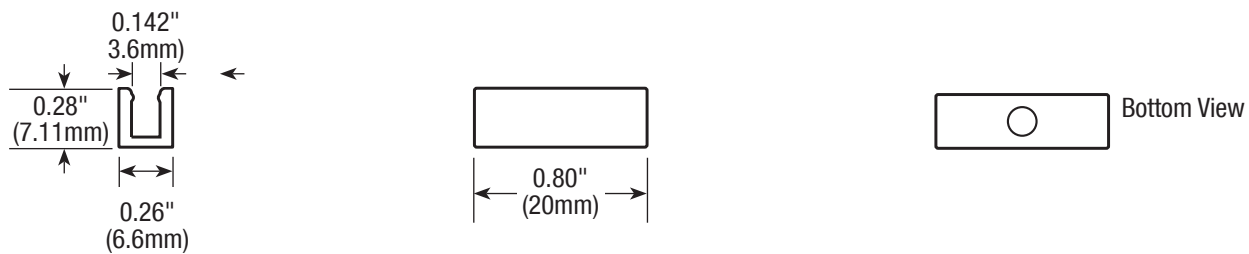
Rigid Channel
NVM24-CHL-A4



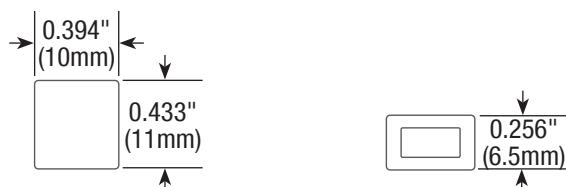
Flexible Channel
NVM24-FLEX-CHL



Back Mounting Clips
NV24S-MC-A



End Cap
NVM24S-EC



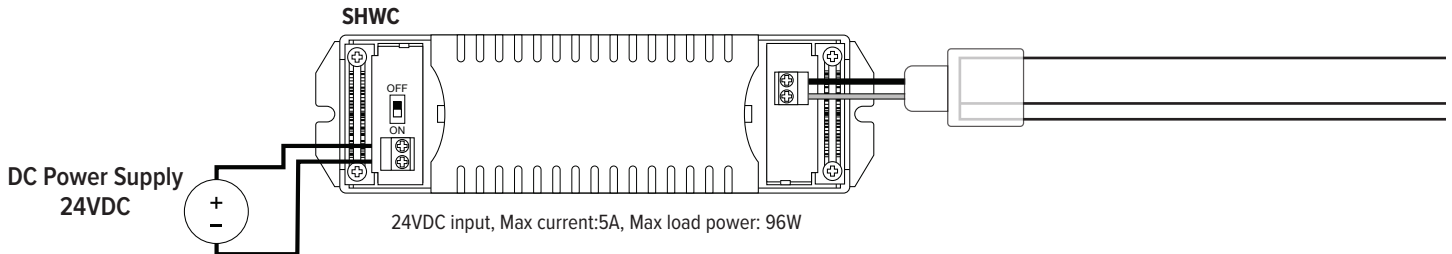
NeoVisionMini

24VDC Neon LED Tape

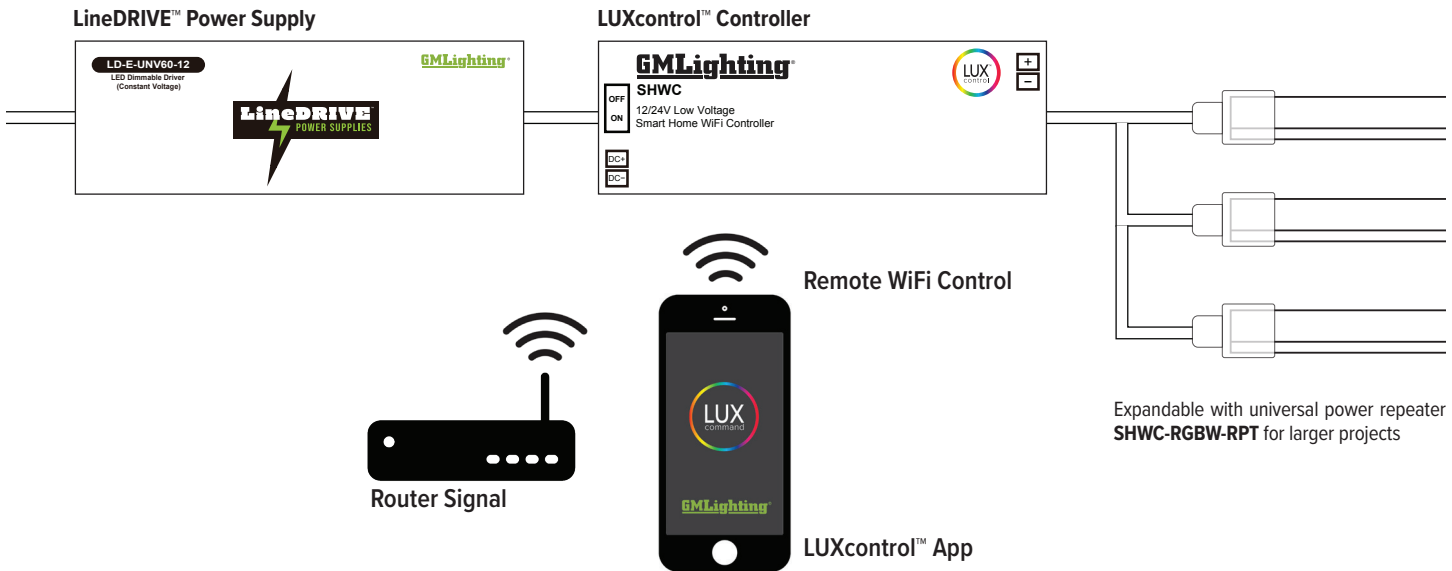
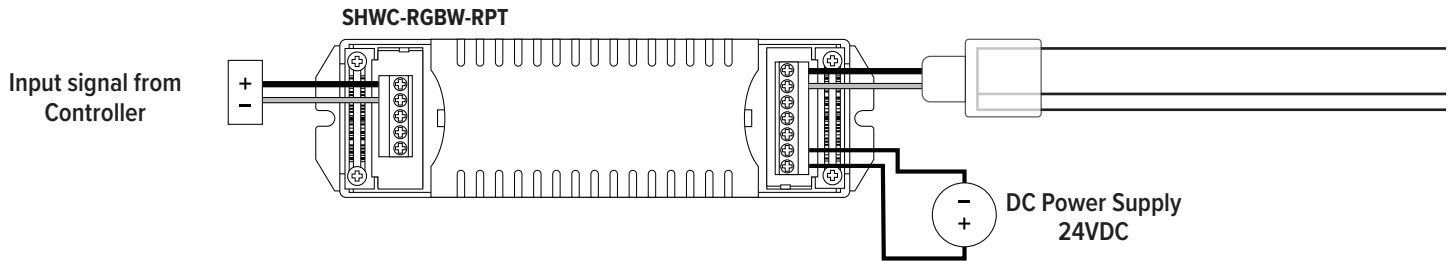
Specification Sheet

WIRING DIAGRAM

Single Color Smart Controller



Repeater Wiring Single color connection - One channel



CONTROLLERS

Product No.	Description
SHWC*	Smart 2.4 GHz WiFi Controller, Standard 12V/24V Low Voltage, 1-Channel / 2-Wire
SHWC-RGBW-RPT*	Universal Smart Power Repeater

*NOTE: For use with LD-E (non-dimmable) or LD-XD (dimmable) power supply only. Not compatible with LD-MD (magnetic) power supply.

POWER SUPPLIES

Product No.	Description
LD-E Series	LineDRIVE 24V Non-Dimmable Power Supplies
LD-XD Series	LineDRIVE 24V Dimmable Power Supplies
LD-MD Series	LineDRIVE 24V Magnetic Power Supplies
PSD Series	Constant Voltage 24V Dimmable Power Supplies

*NOTE: Not compatible with SWITCHLD-SWD series wall dimmer with driver.

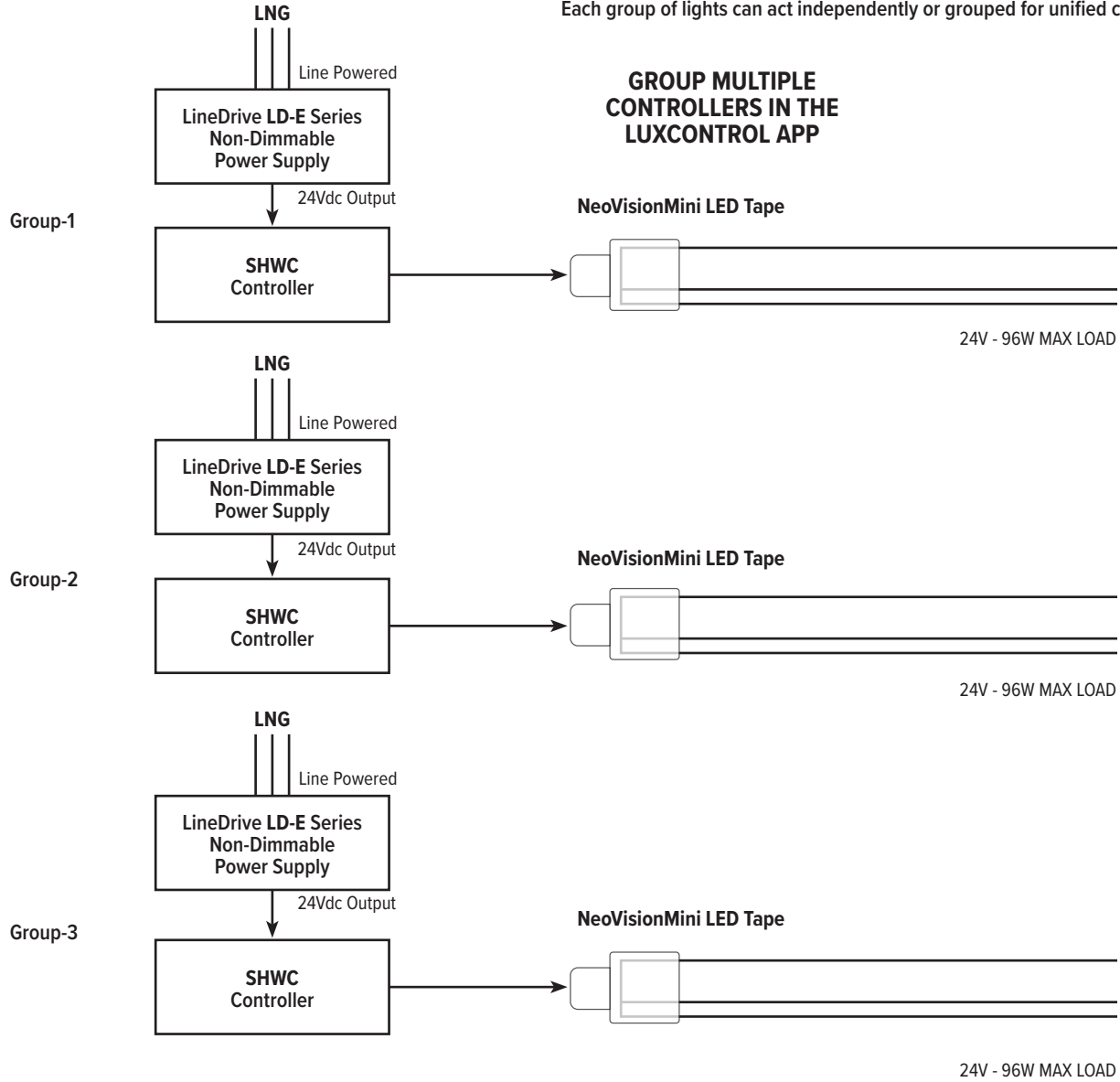
NeoVisionMini

24VDC Neon LED Tape

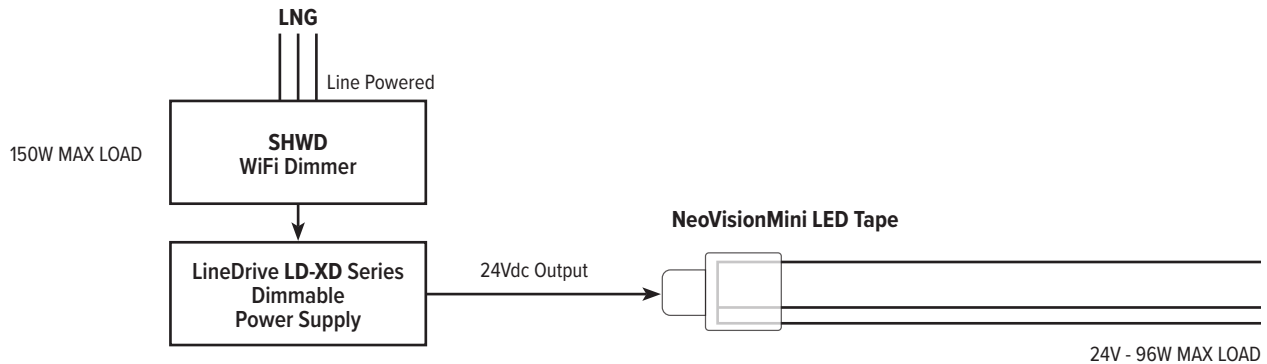
Specification Sheet

SHWC LUXCONTROL WIFI CONTROLLER

Each group of lights can act independently or grouped for unified control.



SHWD LUXCONTROL WIFI CONTROLLER



NeoVisionMini

24VDC Neon LED Tape

Specification Sheet

SHWC LUXCONTROL WIFI CONTROLLER WITH POWER REPEATER

All Lights will act as one group.

