

PROJECT:	
CATALOG #	
TYPE:	DATE:

LED SELECTABLE STRIP FIXTURE

DESCRIPTION

The LED Strip Fixture is a modern, energy-efficient, linear lighting solution that delivers consistent, high-quality light distribution, minimal energy usage and zero maintenance.

Designed with versatility in mind, the tunable model includes adjustable color temperature as well as adjustable wattage, allowing the installer to fine-tune the fixture to better meet the needs of the application. Each size offers a range of three color temperature settings (3500K, 4000K & 5000K) as well as three unique wattage settings.

The fixture is available in either 2', 4' or 8' lengths and can be surface, suspension, or t-grid mounted, either in a single-fixture configuration or as a continuous row to cover more ground from one power source. The lightweight, two-piece design makes installation quick and easy, reducing overall project time.



FEATURES

- Adjustable color temperature (3500K, 4000K, 5000K)
- Adjustable light output/wattage
- 130 lumens per watt (lm/W)
- DLC 5.1 Standard & DLC 5.1 Premium
- ETL rated for damp locations
- 10-year warranty
- 100,000-hour rated life (@L70)
- Continuous row mounting (daisy chaining)
- 0-10V dimming (6% minimum)
- Polycarbonate frosted lens with translucent end caps
- Available in 2', 4' and 8' lengths

MOUNTING

- Surface
- Suspension
- Continuous row
- T-grid (standard or angled for wall wash applications)

APPLICATIONS

- Commercial
- Industrial
- Retail
- Manufacturing
- Warehouse
- Display
- Corridors
- Storage
- Stairways
- Garage
- Task Lighting
- Equipment Rooms

CERTIFICATIONS



SPECIFICATIONS

Life (@L70): 100,000 hours

Warranty: 10 years

PERFORMANCE

Operating temp: -4°F – 113°F (-20°C to 45°C)

Efficacy (LPW): 130 LPW

CRI: 80

ELECTRICAL

Input voltage: 120-277V

Input frequency: 50/60Hz

PF: ≥.9

THD: <20

Surge protection: 2KV

Dimming: 0-10V

Minimum dimming: 6% minimum

Aux. Power Tap: N/A

Driver CL: N/A

Whip/Cord: No

Sensor: No

OPTICAL

Beam: 120°

Lens: Polycarbonate Frosted

UGR: N/A

PHYSICAL

Finish: Powder Coat

Color: White

Housing: Painted Steel

INDUSTRY STANDARDS/RATINGS

IP: 20

IK: N/A

Location: Damp

IC: N/A

UL/ETL: ETL

FCC: Yes

RoHS: Yes

DLC: SFS2 - 5.1 Standard

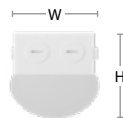
SFS4, SFS8 - 5.1 Premium

SIZING

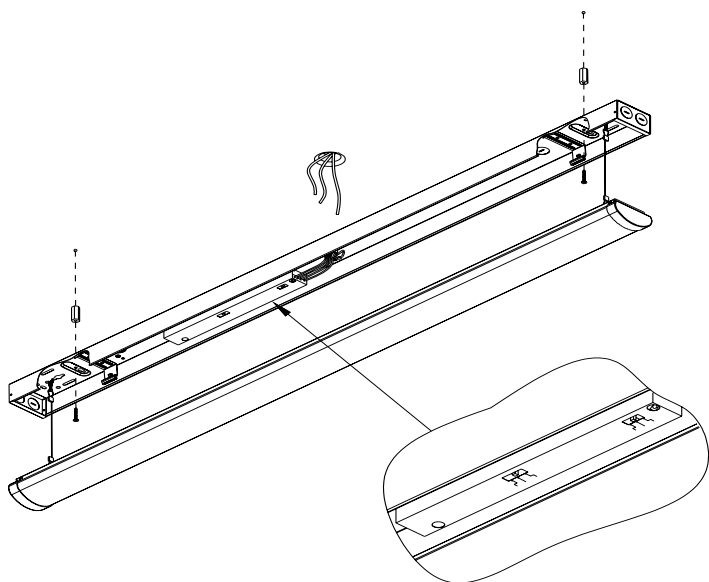
DIMENSIONS / WEIGHT

ORDER#	SIZE
SFS8	8'
SFS4	4'
SFS2	2'

	SIZE	LENGTH	WIDTH	HEIGHT	WEIGHT
SFS8	8'	95.98"	3.26"	2.95"	8.951 lbs
SFS4	4'	48.04"	3.26"	2.95"	5.707 lbs
SFS2	2'	23.97"	3.26"	2.95"	3.586 lbs.



OVERVIEW AND INSTALLATION



Continuous Mounting

The Strip Fixture can be continuously mounted from one power source. Below are the total units that can be connected per wattage setting.

LENGTH (FT.)	WATTS	MAX CAN BE CONNECTED IN ROW	SFAM06	SFAM07
106	15	53	52*	
80	20	40	39*	
64	25	32	31*	
108	30	27	26	
80	40	20	19	
64	50	16	15	15
128	50	16	15	15
104	60	13		12
88	70	11		10

*For SFS2 (2ft. fixture) use SFAM06 of 4' length.

ORDERING

Listed below are the included wattage settings and lumens for each model number.

ROOT MODEL #	DESCRIPTION			
SFS2*	2' Selectable LED Strip Fixture			
EXT. MODEL #	WATTS	VOLTS	CCT	LUMENS
SFS23515	15	120-277	3500	1,950
SFS24015	15	120-277	4000	1,950
SFS25015	15	120-277	5000	1,950
SFS23520	20	120-277	3500	2,600
SFS24020	20	120-277	4000	2,600
SFS25020	20	120-277	5000	2,600
SFS23525	25	120-277	3500	3,250
SFS24025	25	120-277	4000	3,250
SFS25025	25	120-277	5000	3,250

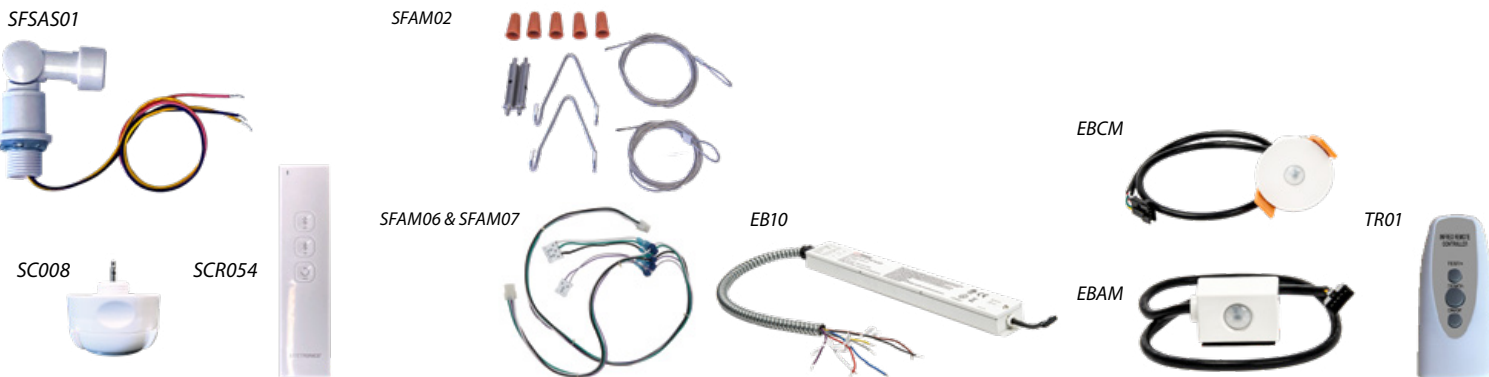
ROOT MODEL #	DESCRIPTION			
SFS4	4' Selectable LED Strip Fixture			
EXT. MODEL #	WATTS	VOLTS	CCT	LUMENS
SFS43530	30	120-277	3500	3,900
SFS44030	30	120-277	4000	3,900
SFS45030	30	120-277	5000	3,900
SFS43540	40	120-277	3500	5,200
SFS44040	40	120-277	4000	5,200
SFS45040	40	120-277	5000	5,200
SFS43550	50	120-277	3500	6,500
SFS44050	50	120-277	4000	6,500
SFS45050	50	120-277	5000	6,500

ROOT MODEL #	DESCRIPTION			
SFS8	8' Selectable LED Strip Fixture			
EXT. MODEL #	WATTS	VOLTS	CCT	LUMENS
SFS83550	50	120-277	3500	6,500
SFS84050	50	120-277	4000	6,500
SFS85050	50	120-277	5000	6,500
SFS83560	60	120-277	3500	7,800
SFS84060	60	120-277	4000	7,800
SFS85060	60	120-277	5000	7,800
SFS83570	70	120-277	3500	9,100
SFS84070	70	120-277	4000	9,100
SFS85070	70	120-277	5000	9,100

*Note: SFS2 DLC 5.1 Standard only.

For a sensor-equipped version of this fixture, check out our [4' LED Strip with Built-In Sensor](#).

ROOT MODEL #	DESCRIPTION	WATTS	LUMENS	CCT
SWFS4	4' LED Strip with Built-In Sensor	30, 40, 50	3,900 5,200 6,500	3500 4000 5000



ORDERING CODE	DESCRIPTION	USAGE
SFAS01	Strip Series Elbow with 3 Wires for Pluggable Sensor	Ordered separately - Required for Plug-In sensors SC008 .
SC008	Plug-in Bluetooth PIR Sensor with IR	This sensor enables wireless control of fixtures, or groups of fixtures, through the LiteSmart mobile app.
SCR054	Remote Control	Used to Commission LiteTronics "Next Generation" LiteSmart IR-Enabled Sensor.
SFAM02	Suspension Mount Kit	Suspend Strip Fixtures from ceiling surface. Note: Two kits needed for 8' assembly. Cable is 5' in length. Weight rating is 25 lbs.
SFAM06	4' Wire Harness Kit	Connect two or more 4' Strip Fixtures together from one power source.
SFAM07	8' Wire Harness Kit	Connect two or more 8' Strip Fixtures together from one power source.
EB10	10W Emergency Battery Backup	Supplies battery backup to an individual fixture for up to 90 minutes. <u>Must be ordered with EBCM or EBAM indicator module.</u>
EBCM	Ceiling-mounted Indicator Module	In grid ceiling applications, this unit connects to the EB10 and is recess mounted in an adjacent panel where it displays the unit's current status of operation.
EBAM	Adhesive-mounted Indicator Module	In drywall/open ceiling applications, this unit connects to the EB10 and is mounted via adhesive, where it displays the unit's current status of operation.
TR01	LED Emergency Light Test Remote	This accessory is required to operate and test the EMBB • Only one remote required per area, building or site as necessary.