

Type IC & Air-Tight



DESCRIPTION

Recessed 6" Round LED With Integral Driver In Connection Box.
Fits Where No Other Recessed Fixture Can.

FEATURES & BENEFITS

- 1/2" Thin - Install Directly Under Joists, Maximum Layout Flexibility
- Type IC Rated - No Housing Required
- Fast & Easy To Install - Save On Labour
- Driver Inside Connection Box - No Junction Box Needed

MOUNTING

Cut Hole In Ceiling And Snap Fixture In Opening With Attached Spring Clips.
1 1/2" Above Ceiling Clearance Required For Driver.

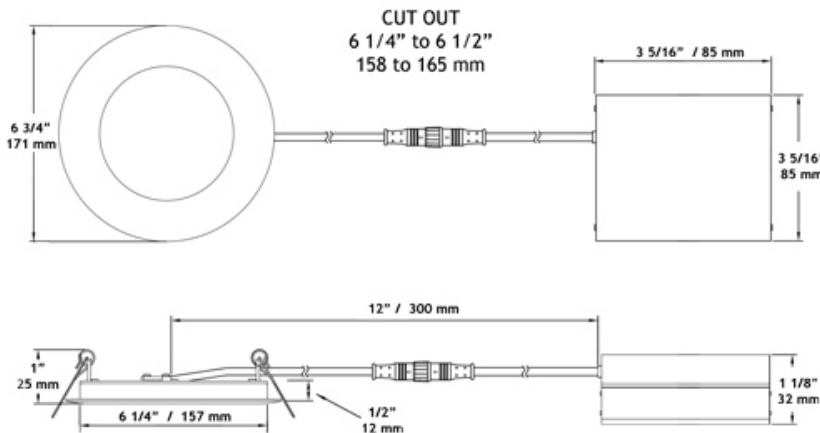
Project: _____

Location: _____

Trim Finish: _____ Qty: _____

Notes: _____

SPECIFICATION	
Applications	Recessed Ceiling Mount
Energy Used	12 W
Colour Temperature	3000 K
Light Output	700 lm
Halogen Equivalent	65 W
Beam Angle	110°
CRI	84
Driver Input	120V AC or 277V-347V AC 50/60 Hz
Power Factor	0.98
Dimming	TRIAC Dimmers 10% - 100%
Approved Location	Insulated Ceiling & Damp Locations
Air Tight	Yes
Ambient Temperature	-40° F (-40° C) to +104° F (+40° C)
Projected Life	70% Light Output at 50,000 Hours
Certification	cULus, Energy Star
Warranty	10 Year on Residential 5 Year on Commercial Applications



Driver Included. Trims: White

Brushed Nickel

Black



COMPLIANCE



Warehouses

Vancouver

Toronto

Las Vegas

Naples

Philadelphia

Dallas

Seattle

CHARACTERISTICS

- Body:** Durable, Die Cast Aluminum Alloy for Optimal Heat Dissipation.
- Paint:** Oil Based Spray Painted - Scratch Resistant And Smooth Finish.
- LEDs:** 77 Pieces Of Custom Packaged LM80 Epistar 3014.
- Guaranteed 98% Lumen Maintenance After 6,000 Hours.
- Strict Binning To Ensure Consistent Light Colour.
- Driver:** 4th Generation Lotus Designed. Field Proven Since 2011.
- Connection Box:** Patented Invention By Lotus LED Lights.
- Saves Contractors Labour On Installation.
- Testing:** Every Single Driver Is Powered For Minimum 24 Hours Together With The Fixture That It Is Shipped With.
- Every LED Is Visually Checked Before And After The PCB Is Mounted On The Fixture.
- No Random Tests - We Hand Test Every Fixture & Driver.

Lighting facts
A Program of the U.S. DOE

Light Output (Lumens)	800
Watts	12.5
Lumens per Watt (Efficacy)	64

Color Accuracy
Color Rendering Index (CRI) **80**

Light Color
Correlated Color Temperature (CCT) **3000 (Bright White)**

2700K 3000K 4500K 6500K

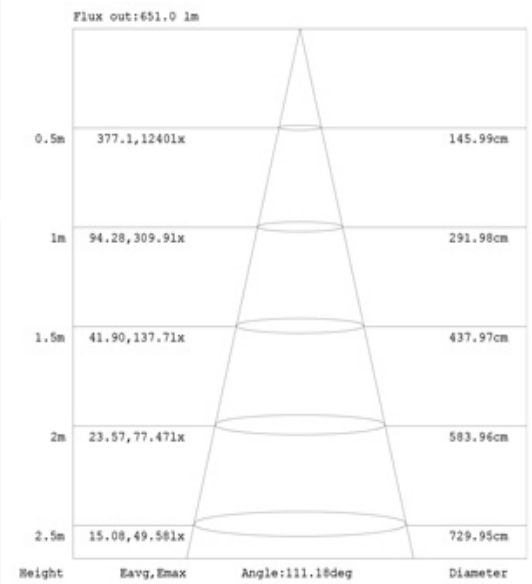
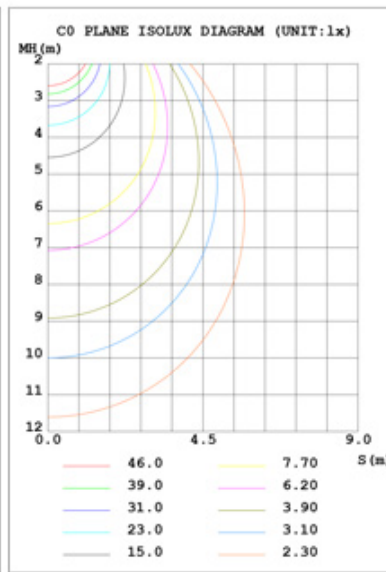
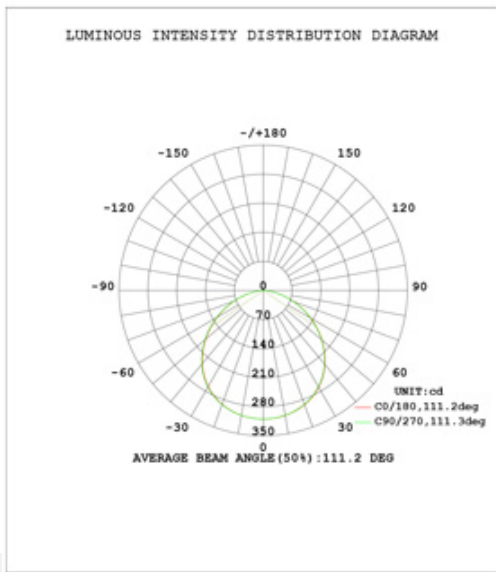
All results are according to IESNA LM-79-2008: Approved Method for the Electrical and Photometric Testing of Solid-State Lighting. The U.S. Department of Energy (DOE) verifies product test data and results.

Visit www.lightingfacts.com for the Label Reference Guide.

Registration Number: K53C-ZIYZRI (3/23/2016)
Model Number: LY6RCS 30K
Type: Luminaire - Downlight

PHOTOMETRIC DATA

Test:U:120.1V I:0.1053A P:12.45W PF:0.9847 Lamp Flux:873.47lx1 lm		Eff: 70.15 lm/W	
MODEL	LY6RCS 30K	I _{max} (cd)	309.9
NOMINAL POWER (W)	0	LOR (%)	100.0
RATED VOLTAGE (V)	120	TOTAL FLUX (lm)	873.47
NOMINAL FLUX (lm)	873.471	CIE CLASS	DIRECT
LAMPS INSIDE	1	η up (%)	0.0
TEST VOLTAGE (V)	120	η down (%)	100.0



ORDERING GUIDE

Example: LY6RCS / 30K / WH

- LY6RCS / 30K /
- Trim Finish
 - WH : White
 - BK : Black
 - BN : Brushed Nickel

Order 277V - 347V Optional Driver Separately As cat # LLL-LD1535H



ACCESSORIES

Sold Separately



Low Voltage Extension Cables
6ft - cat # EXC6, 20ft - cat # EXC20
Max 40 ft Extension Allowed



Rough-In Plates - cat # RIP6



Goof Ring White OD 7 5/8" - cat # GR6



Vancouver Toronto Las Vegas Naples Philadelphia Dallas Seattle

tel: 1-844-24-LOTUS (56887)

fax: 1-877-561-6306

www.lotusLEDlights.com