

LEDR-7

RECESSED LED EMERGENCY UNIT



STANDARD



ILLUMINATION

- Two fully adjustable 1.0W white LED lamp heads.
- High performance chrome-plated metal reflectors and plastic lens for optimal light distribution.

ELECTRICAL

- Dual 120/277 voltage.
- Charge rate/power "ON" LED indicator light and push-to-test switch for mandated code compliance testing.
- LVD (low voltage disconnect) prevents battery from deep discharge.
- 6V maintenance-free, rechargeable sealed lead acid battery.
- Internal solid-state transfer switch automatically connects the internal battery to lamp heads for minimum 90-minute emergency illumination.
- Fully automatic solid-state, two rate charger initiates battery charging to recharge a discharged battery in 24 hours.
- Remote capacity of 10W standard.

MOUNTING

- Bar hangers on the back box for recessed mount.
- Compatible with drop ceiling mount installations. Bar hangers included.

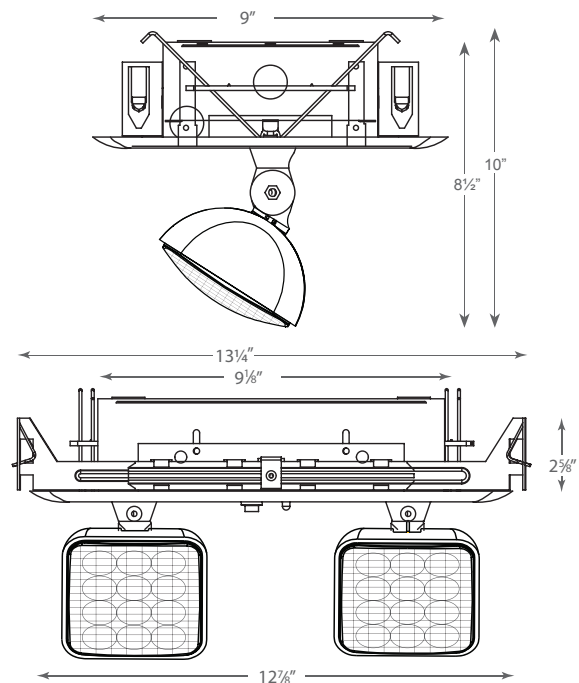
HOUSING

- Durable 20-gauge steel trim plate in white or black finish.
- Trim securely attached to housing with spring clips.

WARRANTY / LISTING

- Five year warranty on all electronics and housing. Battery pro rated for two years.
- Meets UL924, NFPA 101 Life Safety Code, NEC, OSHA, Local and State Codes.
- UL Listed for dry locations. (25°C)

DIMENSIONS



ORDERING INFORMATION

Special Voltage options available.
Check with your Best Lighting
representative.

MODEL	HOUSING COLOR	
LEDR-7	Blank	White
	B	Black

Sample Part Number: LEDR-7

LIGHTING SUPPLY COMPANY • 800.544.2852

FERNDAL: 10651 Northend Avenue, Ferndale, MI 48220 | WIXOM: 28525 Beck Road, Suite 115, Wixom, MI 48393 | Fax: 248.398.0012
Tel: 800.544.2852 | Call Center Hours: M-F 7:00am-6:00pm EST | Counter Pick-up: M-F 7:30am-5:00pm EST

LEDR-7

RECESSED LED EMERGENCY UNIT

ELECTRICAL INFORMATION

CATALOG NUMBER	INPUT WATTS (W)		INPUT AMPS (A)	
	120V	277V	120V	277V
LEDR-7	5.0	5.0	0.05	0.03

REMOTE LAMP COMPATIBILITY

MODEL NUMBER	BATTERY	REMOTE CAPACITY	COMPATIBLE REMOTE HEAD FAMILY												
			RHLED			RH16LED	RH16		RH		RHR		SRH		SRHLED
			3.6V	9.6V	MV		6V	12V	6V	12V	6V	12V	6V	12V	
LEDR-7	6V	10W			X	X	X		X		X		X		X