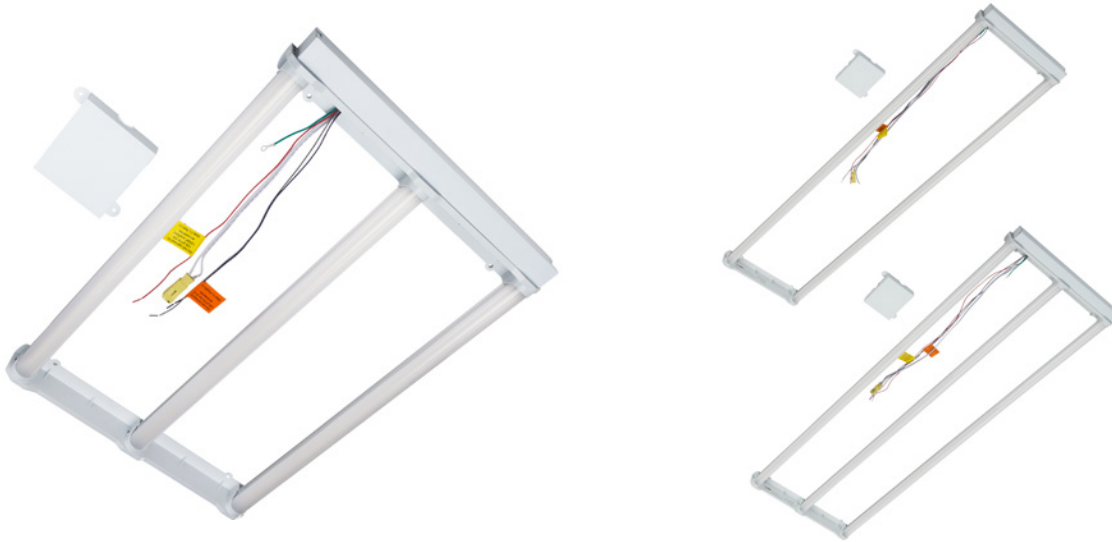


LED MAGNETIC RETROFIT

2' x 2' and 2' x 4' for fluorescent troffers



The LED Magnetic Retrofit is the market's easiest fluorescent-to-LED troffer retrofit kit. Equipped with rare earth magnets at each corner, this one-piece retrofit solution makes upgrading your fluorescent troffer quick and painless; after removing your existing tubes and ballast, the Magnetic Retrofit snaps right in to your troffer for easy attachment and alignment.

New and improved versatility includes an adjustable wattage driver, allowing the installer to choose between three wattage settings to customize the lumen output that matches their preference, as well as further reduce energy usage and qualify for higher rebates. A 12V accessory wire takes customization further, allowing connectivity between the retrofit kit and add-on sensors.

KEY FEATURES

- 100,000-hour rated life
- 10-year warranty
- DLC Premium (157 LPW)
- Adjustable wattage switch
- 12V accessory wire
- Rare earth magnets
- 0-10V dimming

MARKETS

- Schools and universities
- Offices and municipal buildings
- Healthcare facilities and hospitals

APPLICATIONS

- Grid/drop ceilings
- Fluorescent troffers



LED MAGNETIC RETROFIT

SPECIFICATIONS

Average Rated Life: 100,000H

CRI: 82

Power Factor: ≥0.9

Weight: 2'x2' = 9.5 lbs | 2'x4' = 17.5 lbs.

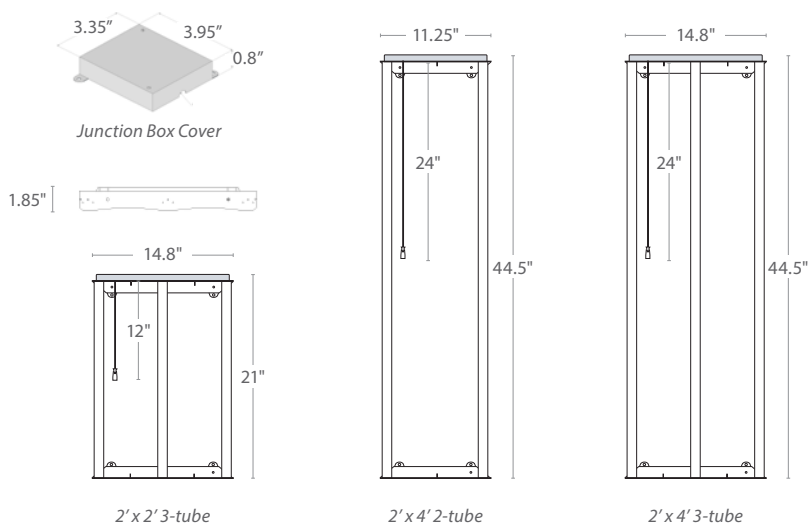
Beam Angle: 110°

Operating Temperature: -5°F to 95°F

Volts: 120-277

Dimming: 0-10V

12V Auxillary: Yes



ORDERING INFORMATION

2' X 2' 3-TUBE

WATTS	DESCRIPTION	ORDERING CODE	CCT (K)	RETROFIT LUMENS*	LUMINAIRE LUMENS*
20, 25, 30	2X2 MAGNETIC RF LED TUBES WITH ADJUSTABLE WATTAGE 30W MAX 3500K	RFM3T235A	3500	3140, 3925, 4700	2500, 3125, 3750
20, 25, 30	2X2 MAGNETIC RF LED TUBES WITH ADJUSTABLE WATTAGE 30W MAX 4000K	RFM3T240A	4000	3140, 3925, 4700	2500, 3125, 3750
20, 25, 30	2X2 MAGNETIC RF LED TUBES WITH ADJUSTABLE WATTAGE 30W MAX 5000K	RFM3T250A	5000	3140, 3925, 4700	2500, 3125, 3750

2' X 4' 2-TUBE

WATTS	DESCRIPTION	ORDERING CODE	CCT (K)	RETROFIT LUMENS*	LUMINAIRE LUMENS*
20, 25, 30	2X4 MAGNETIC RF LED TUBES WITH ADJUSTABLE WATTAGE 30W MAX 3500K	RFM2T435A	3500	3140, 3925, 4700	2500, 3125, 3750
20, 25, 30	2X4 MAGNETIC RF LED TUBES WITH ADJUSTABLE WATTAGE 30W MAX 4000K	RFM2T440A	4000	3140, 3925, 4700	2500, 3125, 3750
20, 25, 30	2X4 MAGNETIC RF LED TUBES WITH ADJUSTABLE WATTAGE 30W MAX 5000K	RFM2T450A	5000	3140, 3925, 4700	2500, 3125, 3750

2' X 4' 3-TUBE

WATTS	DESCRIPTION	ORDERING CODE	CCT (K)	RETROFIT LUMENS*	LUMINAIRE LUMENS*
23, 30, 35	2X4 MAGNETIC RF LED TUBES WITH ADJUSTABLE WATTAGE 35W MAX 3500K	RFM3T435B	3500	3600, 4700, 5500	2875, 3750, 4375
23, 30, 35	2X4 MAGNETIC RF LED TUBES WITH ADJUSTABLE WATTAGE 35W MAX 4000K	RFM3T440B	4000	3600, 4700, 5500	2875, 3750, 4375
23, 30, 35	2X4 MAGNETIC RF LED TUBES WITH ADJUSTABLE WATTAGE 35W MAX 5000K	RFM3T450B	5000	3600, 4700, 5500	2875, 3750, 4375

2' X 2' AND 2' X 4' ACCESSORIES

DESCRIPTION	ORDERING CODE	ACCESSORY USE
Large retrofit junction box	RFAJBL-1	Provides space for electrical wiring when needed

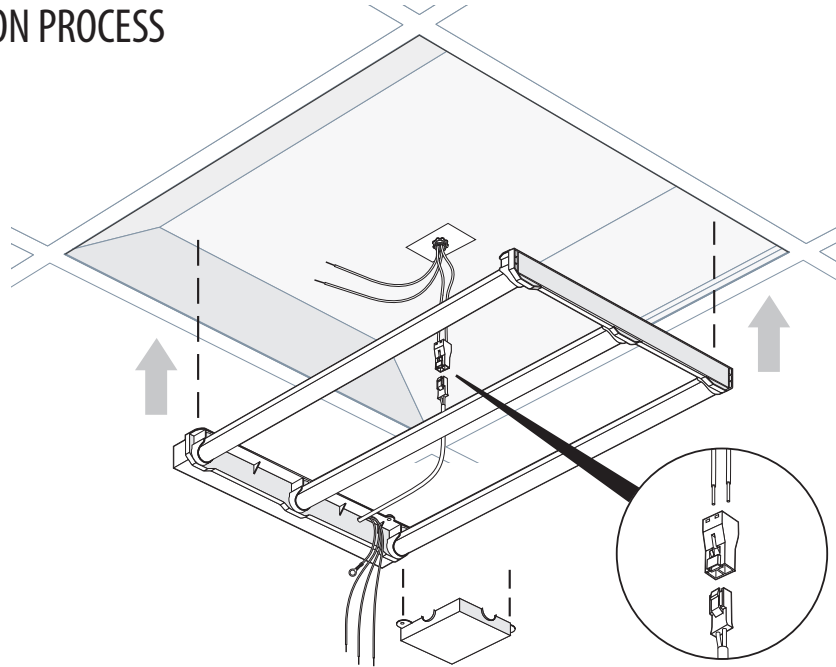


LED MAGNETIC RETROFIT

WHAT COMES IN THE BOX

- LED Magnetic Retrofit
- Magnetic junction box
- 4 Self-tapping screws (#8 x 1/2")
- Retrofit labels
- 3 Wire nuts
- Installation instructions

INSTALLATION PROCESS



PRODUCT OVERVIEW

