

LEDVANCE Luminaires

LED LIGHT DISK

PERFORMANCE CLASS

Application

The LEDVANCE LED Light Disk is a downlight kit producing high performance light, optimized for new construction and retrofit applications. Multiple installation options are available for both recessed and surface mount applications.

Benefits and Features

- Fits into 3 or 4" J-boxes (flush mount) and most 5" and 6" recessed downlight fixtures (screw base)
- Suitable for dry, damp and wet locations
- Lasts up to 25x longer than incandescent lamps
- 5 CCT selectable (2700K, 3000K, 3500K, 4000K, 5000K) and Single CCT 3000K
- Up to 75 LPW
- CRI >90
- Offered in 15 or 16 watts
- Uniform, glare free illumination distribution
- Energy savings up to 85%

Electrical

- 120VAC
- Power Factor >0.9
- Dimmable (phase cut)

Rated Life

- 50,000 hours (L₇₀)

Warranty

- 5 years
- NLB Trusted Warranty Program

Operating Temperature

- -4°F to +104°F (-20°C to +40°C)

Certifications and Listings

- cETLus
- RoHS compliant
- FCC
- ENERGY STAR®
- CA Title 24
- Wet Rated



Wattage Comparison

| Traditional Source | Traditional System Wattage | LED System Wattage | Energy Savings |
|--------------------|----------------------------|--------------------|----------------|
| 100W CFL | 100 | 15 | 85% |
| 100W CFL | 100 | 16 | 84% |

Installation

- Dual installation: direct wiring (flush mount) or E26 screw base (in a 6" housing can)
- Flush mount to standard 3" or 4" j-box
- E26 Screw base and torsion springs included for housing can application
- Dimmable

Mounting Accessories

- J-box adapter
- Screw Base
- Spring clips
- Wire nuts



Specification Data

| | |
|-------------|------|
| Catalog # | Type |
| Project | |
| Comments | |
| Prepared by | |

Ordering Guide

| LEDLD | 2A | XXXX | S | T | 9 | XXX | WH |
|----------------|--------------------|------------------------------|----------------------------|--------------------|---------|---|---------------|
| Product Name | Generation | Lumens | Voltage | Dimming | CRI | Color Temp | Housing Color |
| LED Light Disk | 2A = Generation 2A | 900 = 900lm 1200 = 1200lm | S = Single voltage 120V | T = Triac dimmable | 9 = >90 | 30 = 3000K SC3 = 2700K/3000K/ 3500K/4000K/5000K | WH = White |

Ordering Information

| Item Number | Ordering Abbreviation | Power (W) | Input Voltage (V) | Dimming | CRI | Power Factor | Color Temp. | Total Fixture Lumens | Lens Finish | Case Qty | ENERGY STAR® | T24 |
|-------------|-----------------------|-----------|-------------------|-----------|-----|--------------|---------------------------|----------------------|-------------|----------|--------------|-----|
| 62445 | LEDLD2A900ST930WH | 15 | 120V | Phase Cut | >90 | >90 | 3000K | 900 | Frosted | 4 | Yes | Yes |
| 62446 | LEDLD2A900ST9SC3WH | 15 | 120V | Phase Cut | >90 | >90 | 2700/3000/3500/4000/5000K | 900 | Frosted | 4 | Yes | Yes |
| 62447 | LEDLD2A1200ST9SC3WH | 16 | 120V | Phase Cut | >90 | >90 | 2700/3000/3500/4000/5000K | 1200 | Frosted | 4 | Yes | Yes |

Energy Savings

| Basic Product Description | LED Life (hrs) | LED Lumens | Similar Incandescent (hrs) | Incandescent Lumens | Watts Saved | Energy Savings* | LED Life vs Incandescent |
|---------------------------|----------------|------------|----------------------------|---------------------|-------------|-----------------|--------------------------|
| LEDLD2A900ST930WH | 50,000 | 900 | 2000 | 850 | 60 | Up to 85% | 25X |
| LEDLD2A900ST9SC3WH | 50,000 | 900 | 2000 | 850 | 60 | Up to 85% | 25X |
| LEDLD2A1200ST9SC3WH | 50,000 | 1200 | 2000 | 850 | 59 | Up to 84% | 25X |

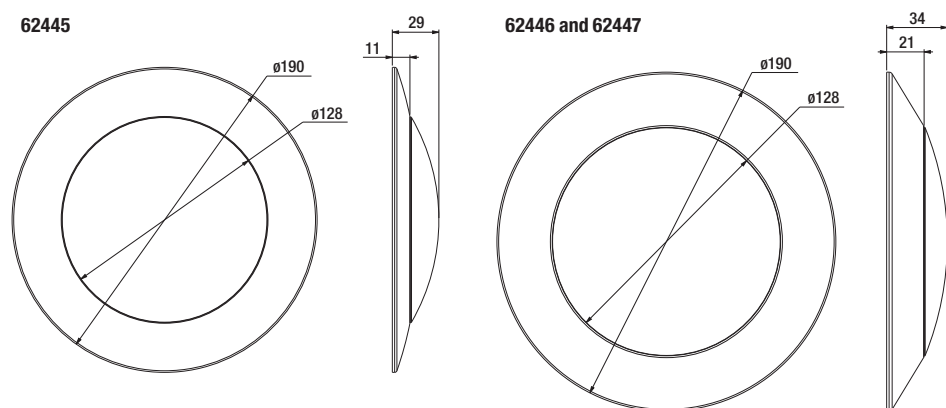
*Energy savings over life of lamp calculated at \$0.11/kWh

Dimmer Compatibility

| Dimmer | Model |
|--------------------|------------|
| Leviton SureSlide | 6674 |
| Lutron Maestro C-L | MACL-153M |
| Lutron Diva | DVCL-153P |
| Lutron Caseta | PD-6WCL |
| Legrand Radiant | RHCL453P |
| Lutron Diva | DVELV-300P |

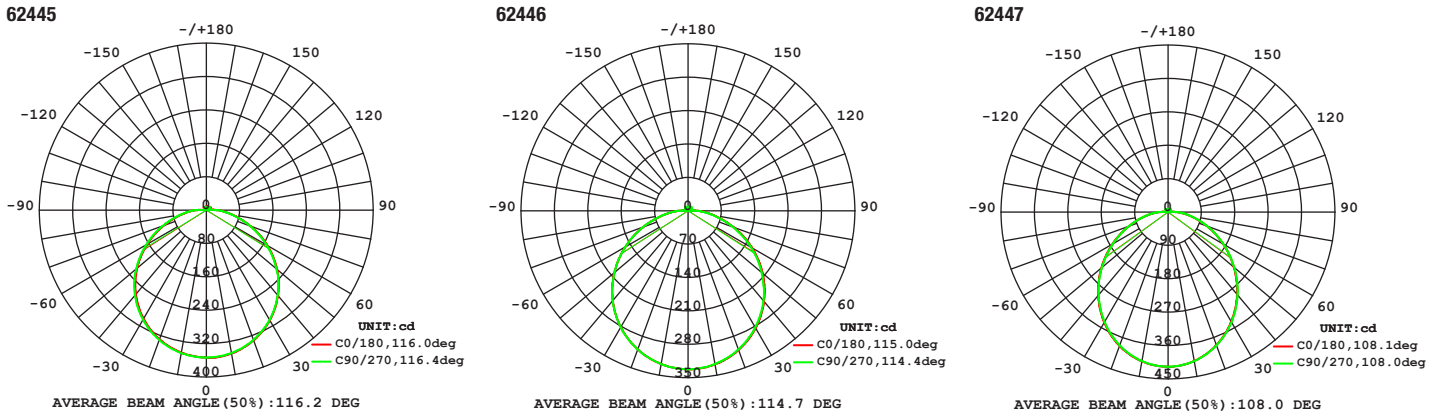
Physical Information

| Lamp Description | Height in (mm) | Diameter in (mm) |
|---------------------|----------------|------------------|
| LEDLD2A900ST930WH | 1.14 (29) | 7.5 (190) |
| LEDLD2A900ST9SC3WH | 1.34 (34) | 7.5 (190) |
| LEDLD2A1200ST9SC3WH | 1.34 (34) | 7.5 (190) |



Dimensions in mm

Photometric Data



Accessories

Accessories included in the packaging for flush mount or housing can application



Accessories (sold separately)

Color Trim Rings

| NAED | Ordering Abbreviation | Description |
|-------|-----------------------|-------------|
| 65696 | LDTRIM2ABLK | Black trim |
| 65697 | LDTRIM2ADKBZ | Bronze trim |
| 65698 | LDTRIM2ASN | Satin trim |



LEDVANCE LLC
 200 Ballardvale Street
 Wilmington, MA 01887 USA
 Phone 1-800-LIGHTBULB (1-800-544-4828)
 www.ledvanceUS.com

SYLVANIA and LEDVANCE are registered trademarks.
 All other trademarks are those of their respective owners.
 Licensee of product trademark SYLVANIA in general lighting.
 Specifications subject to change without notice.

