



## Control Connect Sensor

### PROJECT INFORMATION

JOB NAME	
FIXTURE TYPE	Control Connect Sensor
CATALOG NUMBER	IRH-MOT
APPROVED BY	

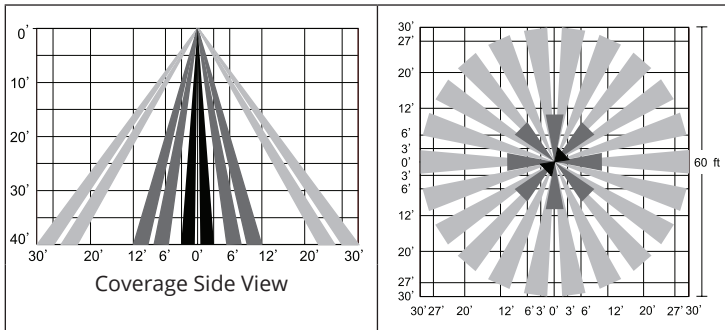
### FEATURES

- The IRH-MOT provides multi-level control based on motion.
- It controls 0-10 VDC LED drivers or dimming ballasts.
- Rated for wet and cold locations.
- 3 levels of control:  
Time (3-60 mins), Sensitivity and Dimming (0-75%)
- No remote needed. Settings stay if power is interrupted.

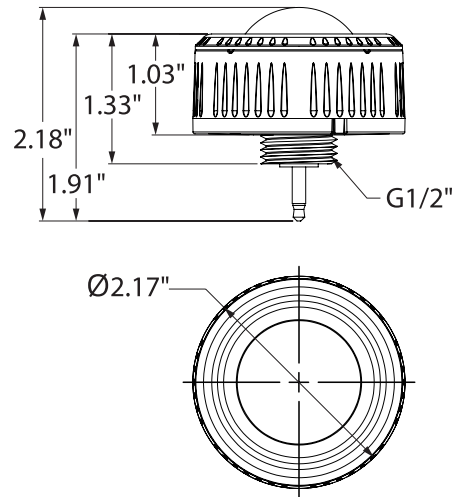
### SPECIFICATIONS

POWER SUPPLY	12V-24V DC, >30mA
DIM CONTROL OUTPUT	0-10V
DETECTION RADIUS	20%/50%/75%/100%(1-8m)
MOUNTING HEIGHT	Max 40ft (12 meters)
TIME SETTING	3 - 60 minutes
TEMPERATURE	-4°F ~ +140°F (-20°C ~ +60°C)
IP RATING	IP65

### SENSOR COVERAGE



### DIMENSIONS



### ORDERING INFORMATION

CATALOG #	DESCRIPTION	STD. PKG.
IRH-MOT	Control Connect Sensor for IRHS and ORHBS series	1