



HBX3 Premium Round High Bay

HIGHLIGHTS

- Premium round high bay with multiple configurable options to fit almost every application
- Controls Ready makes adding controls quick and easy. Includes screw-in receptacle for Standalone sensors or Networked Lighting Controls
- Field installed battery backup options
- Includes 10ft power and dimming cord and hook for mounting ease
- Hinged junction box for easy access to internal components
- Factory install high temp (149°F/65°C) driver option
- Prismatic and aluminum reflector and cone lens accessories available
- PowerSet feature allows for multiple lumen stops out of the box
- FieldCCeT features provides multiple color temperature settings in one fixture

CERTIFICATIONS

- UL listed for US & Canada
- RoHS Compliant
- FCC Compliant
- ICES-005 Compliant
- IP65 Rated
- NEMA4X Rated
- NSF (Splash Zone Rated) - **Pending**
- DesignLights Consortium® Premium Qualified - meets the requirements for the highest DLC qualification for efficacy and lumen maintenance

PERFORMANCE

- High efficacy, up to 160 lm/W
- Available in fixed wattage models: 150W or 200W and PowerSet models: power-selectable 150/130/100/80W, 240/220/200/180W or 300/285/270/255W models
- Available in single CCT models: 4000K or 5000K CCT or FieldCCeT models: field-selectable CCT 40/5000K
- CRI: >80
- Beam Angle: 110° (120-277V & 277-480V models) and 90° (120-347V models)
- Estimated L70: 100,000 Hours

ELECTRICAL

- Input voltage: 120-277V, 277-480V, 120-347V
- 0-10V dimming, dim-to-off
- 12VDC Aux, 200mA max
- Surge protection: 10kV
- Power Factor: >0.9
- THD: <20%

THERMAL

- -40°F to 131°F (-40°C to 55°C) ambient operating temperature
- Ambient operating temperature with sensor (see selected sensor datasheet)
- -40°F to 149°F (-40°C to 65°C) ambient operating temperature with high temp driver modification

CONSTRUCTION

- Matte black or white powder coat, die-cast aluminum
- Impact-resistant polycarbonate lens
- 10ft power and dimming cord
- NSF Rated mounting hook included

WARRANTY

- 5-Year limited warranty available [online](#). Contact your EiKO sales rep for additional details.

project name	type
catalog number	voltage
approved by	date



APPLICATIONS

- Warehouses
- Manufacturing Plants
- Distribution Centers
- Grocery Stores
- Gymnasiums
- Indoor Recreational Facilities
- Cold Storage
- Big Box Retail
- Service Repair Centers

KEY FEATURES

CONTROLS READY

Easily add controls anytime without the need for additional wiring.

INSTALLATION MADE EASY

Yoke mount and pole adaptors available. Ships with NSF Rated Hook. 10ft power and dimming cord out of the box makes installation and servicing easy. Reflectors and lens available.

HIGH TEMP DRIVER OPTION

Factory installed high temperature driver (149°F/65°C) modification allows the HBX3 to perform in demanding industrial applications.

ENVIRONMENTAL PROTECTION

IP65 rated, resistant to corrosion (NEMA 4X) and NSF (Splash Zone Rated) - **Pending**



ORDERING GUIDE

MODEL CONFIGURATOR *

MODEL	SELECTABLE POWER	CCT	VOLTAGE & DIMMING	FIXTURE FINISH
HBX3: Round High Bay	150 : 150W 200 : 200W PS150 : 150/130/100/80W PS240 : 240/220/200/180W PS300 : 300/285/270/255W	40 : 4000K 50 : 5000K FCCT : 4000/5000K	U : 120-277V, 0-10V dimming H : 120-347V, 0-10V dimming V : 277-480V, 0-10V dimming	Blank : Black WH : White

*Not all model combinations are available. See item list on following page for possible combinations

FACTORY INSTALLED OPTIONS

CUSTOM CORD LENGTH	CORD END	HIGH TEMP	ADDITIONAL SURGE PROTECTION
[Blank] : Default, no length W1xx : 300V 18/3 white cord W2xx : 600V 18/3 white cord Custom length required (in feet)	[Blank] : Default, no cord end N01 : 125V 15A straight plug N02 : 250V 15A straight plug N04 : 125V 15A locking plug N05 : 250V 15A locking plug N06 : 277V 15A locking plug N07 : 125V 20A straight plug N08 : 250V 20A straight plug N09 : 277V 20A straight plug N10 : 125V 20A locking plug N11 : 250V 20A locking plug N12 : 277V 20A locking plug N13 : 347V 20A locking plug N14 : 480V 20A locking plug	[Blank] : Default, standard driver HT : High temp (149°F/65°C) driver	[Blank] : Default, no additional protection SP2 : 20kV surge protection

**SEE
BELOW
FOR
FIELD
INSTALLED
CONTROL
OPTIONS**

MODEL CONFIGURATOR

FACTORY INSTALLED OPTIONS

MODEL	-	WATTS	-	CCT	-	VOLTAGE	-	FINISH	-	CORD LENGTH	-	CORD END	-	HIGH TEMP	-	SURGE PROTECTION
HBX3	-		-		-		-		-		-		-		-	

EXAMPLE PART NUMBER: HBX3-090-40-U-W120-N01-SP2

AVAILABLE MODELS

ORDER CODE	ITEM #	WATTS*	CCT**	LUMENS	EFFICACY (lm/W)	VOLTAGE	FINISH	TRADITIONAL WATTAGE EQUIVALENT (@MAX WATTS)	DLC ID#
									PREMIUM
13553	HBX3-150-50-U	150W	5000K	24,000 lm	160 lm/W	120-277V	Black	Up to 400W HID	S-CVRA8J
13555	HBX3-PS150-40-U	150/130/100/80W	4000K	24,000/20,800/ 16,000/12,800 lm	160 lm/W	120-277V	Black	6 lamp 4ft 32W T8 4 lamp 4ft 54W T5 400W HID	S-60NOMZ
13556	HBX3-PS150-50-U	150/130/100/80W	5000K	24,000/20,800/ 16,000/12,800 lm	160 lm/W	120-277V	Black	6 lamp 4ft 32W T8 4 lamp 4ft 54W T5 400W HID	S-6PIFHT
13561	HBX3-PS150-40-V	150/130/100/80W	4000K	24,000/20,800/ 16,000/12,800 lm	160 lm/W	277-480V	Black	6 lamp 4ft 32W T8 4 lamp 4ft 54W T5 400W HID	S-NSOZEX
13562	HBX3-PS150-50-V	150/130/100/80W	5000K	24,000/20,800/ 16,000/12,800 lm	160 lm/W	277-480V	Black	6 lamp 4ft 32W T8 4 lamp 4ft 54W T5 400W HID	S-B13EZQ
13567	HBX3-PS150-FCCT-H	150/130/100/80W	4000/ 5000K	24,000/20,800/ 16,000/12,800 lm	160 lm/W	120-347V	Black	6 lamwp 4ft 32W T8 4 lamp 4ft 54W T5 400W HID	S-FLH9X8
13568	HBX3-PS150-FCCT-H-WH	150/130/100/80W	4000/ 5000K	24,000/20,800/ 16,000/12,800 lm	160 lm/W	120-347V	White	6 lamwp 4ft 32W T8 4 lamp 4ft 54W T5 400W HID	S-FLH9X8
13554	HBX3-200-50-U	200W	5000K	34,000 lm	160 lm/W	120-277V	Black	Up to 600W HID	S-B6GY8W

* All power-selectable fixtures ship at the highest wattage setting

** All CCT-selectable fixtures ship at 4000K

AVAILABLE MODELS CON'T

ORDER CODE	ITEM #	WATTS*	CCT**	LUMENS	EFFICACY (lm/W)	VOLTAGE	FINISH	TRADITIONAL WATTAGE EQUIVALENT (@MAX WATTS)	DLC ID#
									PREMIUM
13557	HBX3-PS240-40-U	240/220/200/180W	4000K	38,400/35,200/32,000/28,800 lm	160 lm/W	120-277V	Black	6 lamp 4ft 32W T8 4 lamp 4ft 54W T5 400W HID	S-12BMOU
13558	HBX3-PS240-50-U	240/220/200/180W	5000K	38,400/35,200/32,000/28,800 lm	160 lm/W	120-277V	Black	6 lamp 4ft 32W T8 4 lamp 4ft 54W T5 400W HID	S-1IXQ9D
13563	HBX3-PS240-40-V	240/220/200/180W	4000K	38,400/35,200/32,000/28,800 lm	160 lm/W	277-480V	Black	6 lamp T5 HO 750W HID	S-25EGAB
13564	HBX3-PS240-50-V	240/220/200/180W	5000K	38,400/35,200/32,000/28,800 lm	160 lm/W	277-480V	Black	6 lamp T5 HO 750W HID	S-NFJ5AR
13569	HBX3-PS240-FCCT-H	240/220/200/180W	4000/ 5000K	38,400/35,200/32,000/28,800 lm	160 lm/W	120-347V	Black	6 lamp T5 HO 750W HID	S-423YB5
13570	HBX3-PS240-FCCT-H-WH	240/220/200/180W	4000/ 5000K	38,400/35,200/32,000/28,800 lm	160 lm/W	120-347V	White	6 lamp T5 HO 750W HID	S-423YB5
13559	HBX3-PS300-40-U	300/285/270/255W	4000K	48,000/45,600/43,200/40,800 lm	160 lm/W	120-277V	Black	1000W HID	S-3OV8PE
13560	HBX3-PS300-50-U	300/285/270/255W	5000K	48,000/45,600/43,200/40,800 lm	160 lm/W	120-277V	Black	1000W HID	S-CKO87T
13565	HBX3-PS300-40-V	300/285/270/255W	4000K	48,000/45,600/43,200/40,800 lm	160 lm/W	277-480V	Black	1000W HID	S-ME911H
13566	HBX3-PS300-50-V	300/285/270/255W	5000K	48,000/45,600/43,200/40,800 lm	160 lm/W	277-480V	Black	1000W HID	S-074YEN

* All power-selectable fixtures ship at the highest wattage setting

** All CCT-selectable fixtures ship at 4000K

ACCESSORIES

ORDER	ORDER CODE	ITEM #	DESCRIPTION
MOUNTING & PROTECTION ACCESSORIES			
	13821	PA-12-34*	HBX3 Pipe adaptor, 1/2" to 3/4"
	14308	WG1-S*	Wire guard, for BAYE3 100-240W fixed power, BAYE3 150W power select, HBX3 150-200W use with reflector
	14309	WG1-M*	Wire guard, for BAYE3 240W power select, HBX3 240-300W use with reflector
REFLECTORS			
	14315	REF1-PC-S*	Reflector, Prismatic, for BAYE3 100-240W fixed power, BAYE3 150W power select, HBX3 150-200W (polycarbonate)
	14316	REF1-PC-M*	Reflector, Prismatic, for BAYE3 240W power select, HBX3 240-300W (polycarbonate)
	14318	REF1-CL*	Cone lens, compatible with REF1-PC-S, REF1-PC-M (polycarbonate)
	14319	REF1-AL-S*	Reflector, Aluminum, for BAYE3 100-240W fixed power, BAYE3 150W power select, HBX3 150-200W
	14320	REF1-AL-M*	Reflector, Aluminum, for BAYE3 240W power select, HBX3 240-300W

* Visit eiko.com for compatible alternate from previous generation

CONTROLS & SENSORS: FIELD INSTALLED

ORDER	ORDER CODE	ITEM #	DESCRIPTION
STANDALONE CONTROLS			
PIR SENSORS			
	801282	MSF-DPR-12	Stand-alone PIR Motion Sensor, 12V, Screw-in, 0-10V, Ambient Threshold, 20ft, Parameters set by RC02.
	13342	SEN5A-SZPR-WH	Stand-alone PIR Motion Sensor, 12-24V, Z10, 0-10V, Daylight Harvesting, 40ft, White, Parameters set by SEN5A-ACT. Note: Screw-in to Z10 adaptor required: SENA-APZ-WH.
MICROWAVE SENSORS*			
	801281	MSF-DMR-12	Stand-alone Microwave Motion Sensor, 12V, screw-in, 0-10V, Ambient Threshold, 49ft, Parameters set by RC02
	11931	SEN5A/M/Z10	Stand-alone Microwave Motion Sensor, 12-24V, Z10, 0-10V, Ambient Threshold, 40ft, Parameters set by RC-100/SEN5A-ACT. Note: Screw-in to Z10 adaptor required: SENA-APZ-WH.
	13341	SEN5A-SZMR-WH	Stand-alone Microwave Motion Sensor, 12-24V, Z10, 0-10V, Daylight Harvesting, 40ft, White, Parameters set by SEN5A-ACT. Note: Screw-in to Z10 adaptor required: SENA-APZ-WH.

* Microwave sensors must be installed on stable and immovable fixtures to avoid false activation from swinging.

REMOTES FOR COMMISSIONING STANDALONE CONTROLS			
	13344	SEN5A-ACT	Commissioning Tool for SEN5A, BAY-E-SEN/PIR, BAY-E-SEN/M, and MS2-DPX-3 (Backward compatible with SEN5A/CT and RC-100)
	800891	RC02	Commissioning Tool for programming HBX2, FL5, HBV2, LHB4 center pin motion sensors

CONTROLS & SENSORS

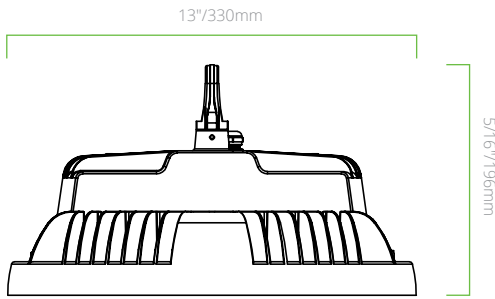
ORDER	ORDER CODE	ITEM #	DESCRIPTION
NETWORKED LIGHTING CONTROLS (NLC)			
SENSOR AND CONTROLLER			
	13246	SENA-WZPA-WH	BLE PIR Motion sensor, 12-24V, IP65, Z10, 0-10V, Daylight Harvesting, 40ft, Parameters set by Silvair App. Note: Screw-in to Z10 adapter required: SENA-APZ-WH.
	12643	PSC-ZKV-WCM-100-BLE-SR	BLE TruBLE wireless fixture Controller, 12-24V, Z10, 0-10V, Parameters set by Silvair App. Note: Screw-in to Z10 adapter required: SENA-APZ-WH.
WALL OR WIRELESS CONTROLLERS			
	12654	ESRPB-W-EO	BLE Easyfit by EnOcean wireless self-powered kinetic Single rocker pad, white, wall plate included.
	12655	EDRPB-W-EO	BLE Easyfit by EnOcean wireless self-powered kinetic Double rocker pad, white, wall plate included.
	12635	PSC-DM-WS-100-BLE-SR	BLE TruBlu 120-277V, Single Gang Single Button Wall Controller, White, Parameters set by Silvair App.
	12636	PSC-DM-I-WS-100-BLE-SR	BLE TruBlu PIR Occupancy/ Vacancy Sensor, 120-277V, Single Gang Wall Controller, White, Parameters set by Silvair App.
	12637	PSC-DM-WS-400-BLE-SR	BLE TruBlu 4-Button Wall Controller, 120-277V, Single Gang, White, Parameters set by Silvair App.
ADAPTERS & ACCESSORIES			
	13467	SENA-APZ-WH	Z10 adaptor 1/2" Screw-in spring load pins to Z10 Receptacle IP65 White.
	12994	PSC-RET-100-BLE-SR	BLE TruBlu Range Extender, 120-277V, 800ft, Nema 4X Outdoor Enclosure
	12993	PSC-TKP-200-BLE-SR	BLE TruBlu Battery Backup Timekeeper and Range Extender, 120V, 800ft, Nema 4X Outdoor Enclosure

BATTERY BACKUPS

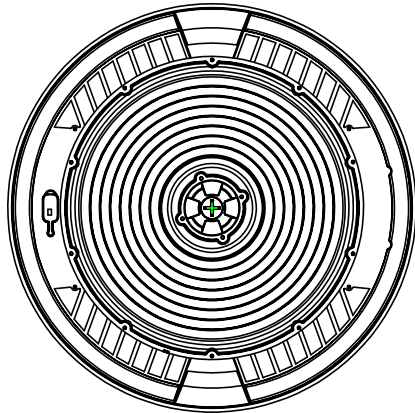
ORDER	ORDER CODE	ITEM #	DESCRIPTION
	12901	EEBW40WHA170*	EiKO Emergency Battery External 40W 100-347VAC 170VDC Cylinder IP65 CEC Compliant. Field Installed Only.
	12902	EEBW40WVA500*	EiKO Emergency Battery External 40W 277-480VAC 310-500VDC Cylinder IP65 CEC Compliant. Field Installed Only.
	13293	RC-001	Remote Control for EEBW Emergency Battery (Optional)
	20683	WH-CAB-MN-186	3 wire dimming cable used to swap the 2 wire dimming cable; required for the sensor and battery to work together on HBX3

* **WARNING:** When using these AC version battery backups with any control solution, internal rewiring is required according to the installation sheet's wiring diagram. Failure to do so may result in a violation of safety codes.

100-200W MODELS

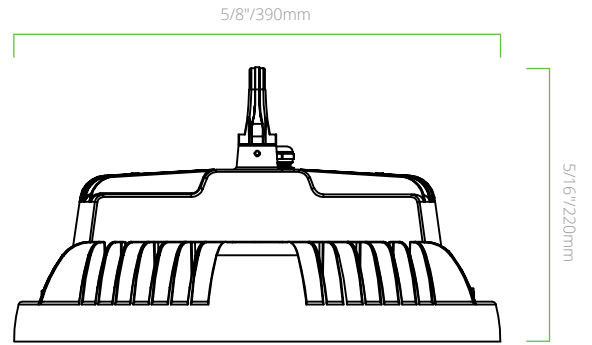


FRONT VIEW

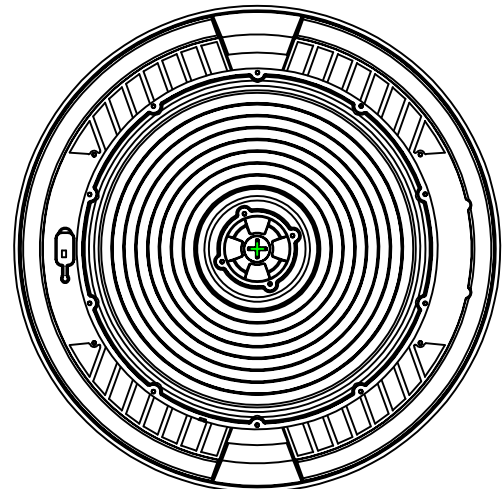


BOTTOM VIEW

240-300W MODELS



FRONT VIEW



BOTTOM VIEW