



Versatile Floodlight with hinged lens frame and Hydroformed reflector. Field adjustable vertical and horizontal lamp positions.

Color: Bronze

Weight: 7.6 lbs

Project:	Type:
Prepared By:	Date:

Lamp Info		Ballast Info	
Type	Triple 84W	Type	Electronic QT
Watts	84W	120V	N/A
Shape/Size	N/A	208V	N/A
Base	N/A	240V	N/A
ANSI	N/A	277V	0.4A
Hours	12,000	Input Watts	92W
Lamp Lumens	6,400 lm		
Efficacy	69.6 lm/W		

Technical Specifications

Compliance

UL Listed:

Suitable for wet locations. Suitable for ground mounting.

Electrical

Photocell:

Button photocell 277V included. Photocell is compatible with 208V-277V.

Socket:

Porcelain 4kv Pulse Rated socket with nickel plated screw shell

Construction

Housing:

Precision die-cast aluminum. 1/2" NPS threaded arm with locking swivel.

Reflector:

Hydroformed aluminum. Field adjustable vertical or horizontal.

Lens Gasket:

High-temperature tubular silicone set in die cast retaining groove remains in place during relamping

Lens Frame:

Precision die cast aluminum. Hinged for easy access.

Finish:

Formulated for high durability and long-lasting color

Ground Mounting:

Use the new MPM19 PVC Mighty Post with aluminum cap for sturdy installation

EPA:

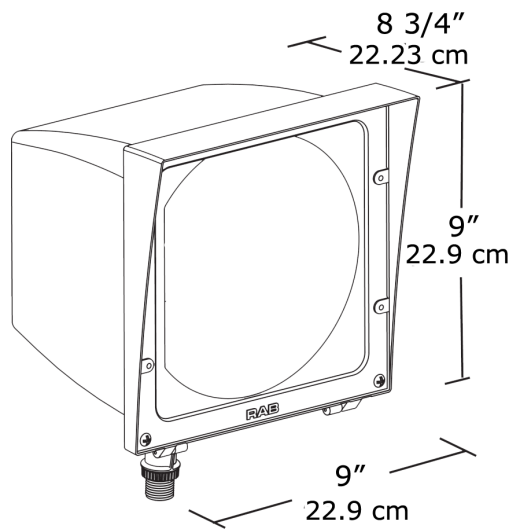
0.6

Other

Buy American Act Compliance:

RAB values USA manufacturing! Upon request, RAB may be able to manufacture this product to be compliant with the Buy American Act (BAA). Please contact customer service to request a quote for the product to be made BAA compliant.

Dimensions



Features

- Fins for heat dissipation extend lamp & ballast tube
- Hinged lens frame is captive during relamping
- Silicone gasket for durable weatherproofing
- Hydroformed reflector is field adjustable to vertical or horizontal lamp positions
- Long life lamp included
- Precision die cast aluminum housing and lens frame with durable polyester powder coating
- EZ Grip locknut matches fixture finish and can be adjusted with fingers, pliers or a screwdriver