

# Elements

by TCP

## LED Canopy Light

### Product Specifications



Are you looking for a low-maintenance solution to your parking garage, gas station, awning or outdoor canopy lighting? Check out the LED Canopy Lights from TCP. These long-lasting canopy luminaires are virtually maintenance free over their long 50,000 hour rated life. TCP's next generation of canopy light is wattage selectable, sealed against water/dust, and vandal proof.

### Reasons to choose the LED Canopy Light from TCP

---

- Wide, even light distribution and low glare
- 0-10V dimming, dim to off
- Vandal resistant - IK10 Protection
- Cast aluminum housing
- IP65 wet location rated
- Wattage selectable
- Long 50,000 hour rated life reduces maintenance and replacement costs

### Ideal Applications

---

- Parking Garages
- Awnings
- Canopies
- Security Lighting
- Gas Stations



## Applications

This product family can be effectively used in outdoor ceiling mount locations including parking garages, gas stations, awnings, canopies and security lighting.

## Construction

- Cast aluminum housing
- Vandal resistant - IK10 protection
- Die-cast heatsink fins divert heat from the luminaire
- White housing to match any surroundings

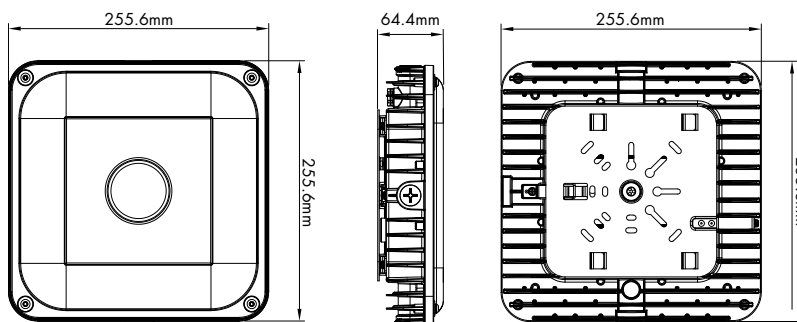
## Electrical

- IP65 wet location rated
- Surface mount, pole mount, or surface mount with conduit
- 25/40/60W power selectable switch located on the back
- System rated for long 50,000 hour life
- Operating temperature: -13°F to 104°F
- 0-10V dimming, dim to off
- 135 LPW

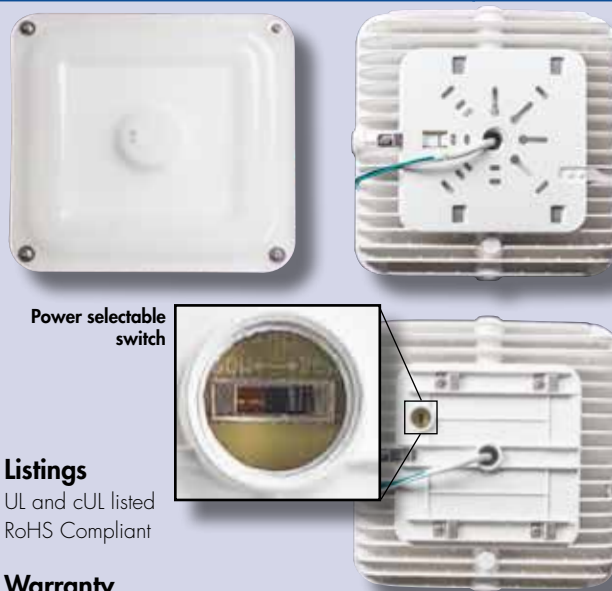
## Optics

- Delivers bright white light and excellent uniformity
- Impact-resistant fresnel lens has a frosted finish
- Wide, even light distribution and low glare
- 120° light distribution
- 80+ CRI

## Dimensions



Item Number	
Notes	Type



Power selectable switch

## Listings

UL and cUL listed  
RoHS Compliant

## Warranty

Five year limited warranty against defects in manufacturing.

## Catalog Ordering Matrix

Example: CPUZDB340K

CP	U	ZD	B3	COLOR TEMPERATURE	FACTORY INSTALLED CONTROLS
FAMILY	VOLTAGE	DIMMING	LUMEN PACKAGE		
CP = Canopy Light	U = 120V-277V	ZD = 0-10V Dimming	B3 = 3,200L/5,120L/7,680L (25W/40W/60W selectable)	40K = 4000K 50K = 5000K	BLANK = No Controls MS = Microwave Motion/Bi-level Dimming Sensor

### Field Installed Accessories:

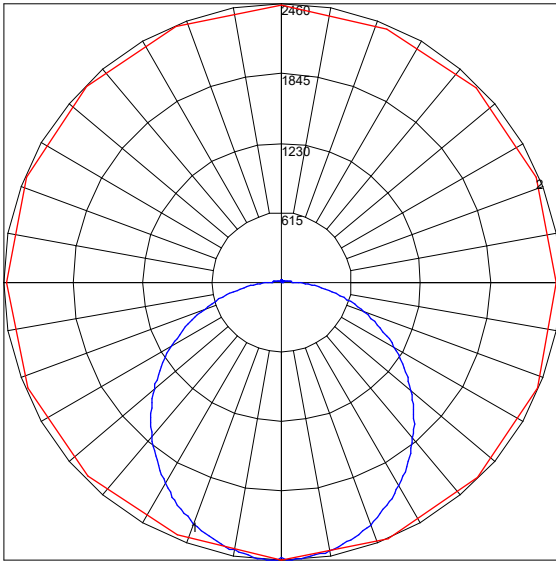
Item Number	Description
CPEBATTERY	8W 90 min. waterproof emergency battery backup
CPREMOTE	Remote control for microwave sensor add-on

For the most up-to-date specs and warranty information, please visit [www.tcp.com](http://www.tcp.com)

## Photometric Report

Based on photometric data for  
TCP Item # CPUZDB340K

### Polar Graph



Maximum Candela = 2459.9 Located At Horizontal Angle = 270, Vertical Angle = 2  
# 1 - Vertical Plane Through Horizontal Angles [270 - 90] (Through Max. Cd.)  
# 2 - Horizontal Cone Through Vertical Angle [2] (Through Max. Cd.)

### Spacing Criterion

(0-180): 1.50, (90-270): 1.50

## Coefficients of Utilization – Zonal Cavity Method

Effective Floor Cavity Reflectance 0.20

RC	80				70				50				30				10				0
	70	50	30	10	70	50	30	10	50	30	10	50	30	10	50	30	10	50	30	10	0
0	119	119	119	119	116	116	116	116	110	110	110	105	105	105	101	101	101	101	101	101	98
1	107	102	97	93	104	100	95	91	95	91	88	91	88	85	87	85	82	80	80	80	80
2	97	88	81	75	94	86	80	74	82	77	72	79	74	70	76	72	68	66	66	66	66
3	88	77	69	62	86	76	68	61	72	65	60	69	63	59	66	62	57	55	55	55	55
4	81	68	59	52	78	67	58	52	64	57	51	61	55	50	59	54	49	47	47	47	47
5	74	61	52	45	72	60	51	44	57	50	44	55	48	43	53	47	42	40	40	40	40
6	68	55	46	39	66	54	45	39	52	44	38	50	43	38	48	42	37	35	35	35	35
7	63	50	41	34	62	49	40	34	47	39	34	45	38	33	44	38	33	31	31	31	31
8	59	45	37	31	57	44	36	30	43	35	30	42	35	30	40	34	30	28	28	28	28
9	55	41	33	27	54	41	33	27	39	32	27	38	32	27	37	31	27	25	25	25	25
10	52	38	30	25	50	38	30	25	37	29	25	35	29	24	34	28	24	22	22	22	22

### Zonal Lumen Summary

Zone	Lumens	%Lamp	%Fixt	Zone	Lumens
0-20	890.57	11.90	11.90	0-10	230.84
0-30	1887.74	25.30	25.30	10-20	659.73
0-40	3090.53	41.40	41.40	20-30	997.17
0-60	5511.9	73.80	73.80	30-40	1202.78
0-80	7061.61	94.50	94.50	40-50	1258.3
0-90	7345.85	98.30	98.30	50-60	1163.07
10-90	7115.01	95.30	95.30	60-70	933.79
20-40	2199.95	29.50	29.50	70-80	615.91
20-50	3458.25	46.30	46.30	80-90	284.25
40-70	3355.17	44.90	44.90	90-100	68.27
60-80	1549.7	20.70	20.70	100-110	15.81
70-80	615.91	8.20	8.20	110-120	6.21
80-90	284.25	3.80	3.80	120-130	7.39
90-110	84.09	1.10	1.10	130-140	7.82
90-120	90.30	1.20	1.20	140-150	7.32
90-130	97.69	1.30	1.30	150-160	5.93
90-150	112.83	1.50	1.50	160-170	3.85
90-180	123.94	1.70	1.70	170-180	1.33
110-180	39.85	0.50	0.50		
0-180	7469.8	100.00	100.00		

Total Luminaire Efficiency = 100.00%

### Average Luminance (cd/sq.m)

Angle In Degrees	Average 0-Deg	Average 45-Deg	Average 90-Deg
45	130862	129718	132222
55	128764	126979	130727
65	126546	125019	128786
75	127573	125488	130150
85	166703	172979	171480



# TECHNOLOGY CAST IN A BEAUTIFUL LIGHT

For over 20 years, TCP has been designing, developing and delivering energy-efficient lighting into the market. Thanks to our cutting-edge technology and manufacturing expertise, we have shipped billions of high quality lighting products. With TCP, you can count on a lighting product that is designed to meet the needs of the market - that transforms your surroundings and envelopes you in warmth - lighting that generates beauty with every flip of the switch.

Sales:

Date:

Model:

Project:

Rep:

Catalog Number:

Type:

Notes:



For more information on the quality and care TCP can deliver, call us at **800.324.1496** or visit [tcp.com](http://tcp.com)

325 Campus Dr. | Aurora, Ohio 44202 | P: 800.324.1496 | F: 877.487.0516