

CDLX SERIES OUTDOOR LIGHTING

CDLX-LG-30-80W-30K
CDLX-LG-30-80W-40K
CDLX-LG-30-80W-50K

WESTGATE
THE FUTURE IS HERE...AND IT'S QUITE BRIGHT!

Customer Name: _____

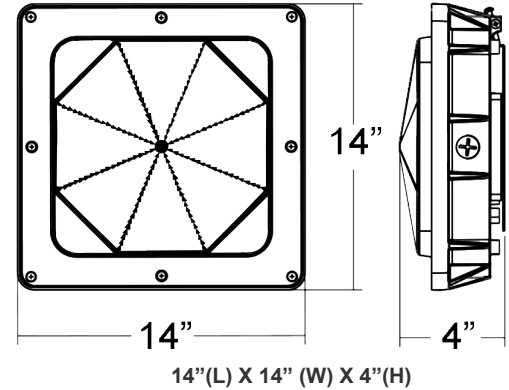
Project Name: _____

Note: _____

Type: _____



Ideal for indoor parking lots, commercial buildings, schools, warehouses, retail centers, apartment complexes. Designed for 9 to 16-foot mounting.



Features

- Housing: Die-cast aluminum with prismatic polycarbonate lens redesigned for LED
- Designed for 9 to 16 foot mounting heights
- Factory-Installed Options: Battery Backup, Motion Sensor
- 7-year warranty
- Multi-Power Switch is in the Fixture

Technical Specifications

Electrical:

- Wattage: 30W/ 40W/ 60W/ 80W
- Input Current: 0.6A MAX
- Input Voltage: 120-277VAC 50/60Hz
- Power factor: >0.90
- LPW: 120

Mechanical:

- Die-cast aluminum with bronze
- Four 1/2" threaded hubs located on four sides of the housing
- Prismatic polycarbonate lens
- Operating temperature: -4°F ~ 104°F
- IP rating: IP65, Wet Locations

Lighting:

- Dimming: 0~10V dimmable
- LED type/ Brand: SMD 3030/ Philips Lumileds LEDs
- Total lumens: 9650LM Max.
- Color temperature: 3000K/ 4000K/ 5000K
- Color rendering index: >80
- Beam angle: 150°
- Lifespan: 70000 Hrs

Applications:

- Indoor Parking
- Commercial Buildings
- School
- Warehouses
- Complexes
- Apartment
- Garage

Other Models:

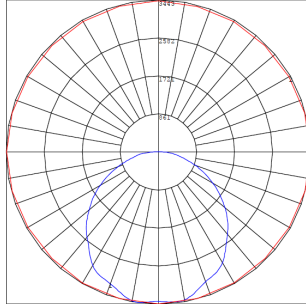
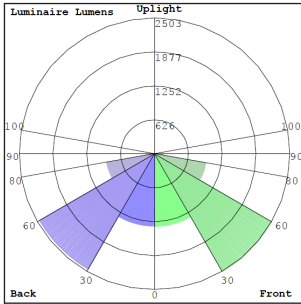
- 25W | 2850LM | CDLX-SM-5-25W-30K
- 25W | 2950LM | CDLX-SM-5-25W-40K
- 25W | 3000LM | CDLX-SM-5-25W-50K
- 45W | 4500LM | CDLX-MD-15-45W-30K
- 45W | 4900LM | CDLX-MD-15-45W-40K
- 45W | 5100LM | CDLX-MD-15-45W-50K



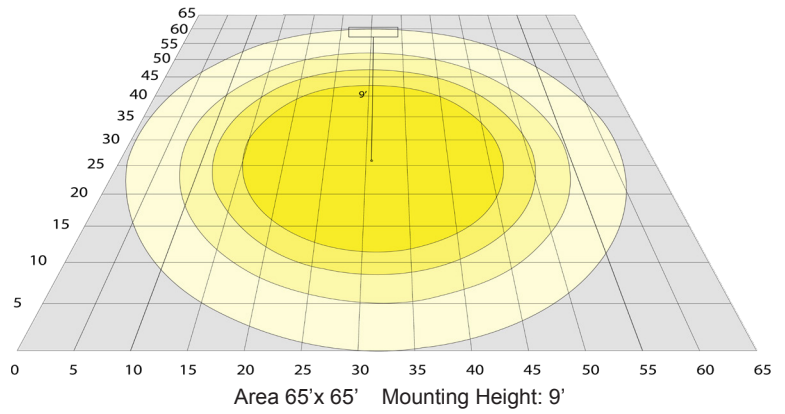
Phone: (877) 805-2252 | Fax: (877) 805-2252
www.westgatemfg.com | www.westgatecontrols.co



Photometrics: CDLX-LG-30-80W



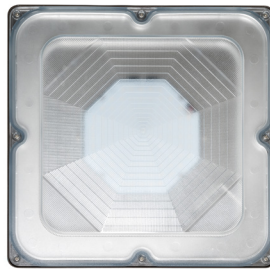
BUD Rating: B3-U2-G2



Other Views:



Side View



Front View



Back View

Performance Table: CDLX-LG-30-80W

MODEL NO.	Wattage	Voltage	Lumens	Color Temp.	BUG Rating	LPW
CDLX-LG-30-80W-30K	30W	120~277V	4000LM	3000K 4000K 5000K	B3-U2-G2	120
			4100LM			
			4300LM			
CDLX-LG-30-80W-40K	40W		5250LM			
			5400LM			
			5600LM			
CDLX-LG-30-80W-50K	60W		7300LM			
			7500LM			
			7800LM			
CDLX-LG-30-80W-50K	80W		9500LM			
			9600LM			
			9650LM			



Sample Ordering

Model Size Min. Max.Wattage Color Temp.

- - - -

30K = 3000K
 40K = 4000K
 50K = 5000K

Factory Installed Options

Blank = No Option For Factory-Instalaeed
OPT-EM-OD2INT = INTERNAL EMERGENCY BACKUP BATTERY
OPT-SEN-2MD-35 = PROGRAMMABLE MICROWAVE BI-LEVEL SENSOR
OPT-PC-B = PHOTOCCELL
OPT-CLR-95 = C COLOR PAINT
WEC-3RC = OPTIONAL REMOTE CONTROL
OPT-TRS-T20 = TAMPER RESISTANT SCREW

Example:

1. CDLX-LG-30-80W-50K
2. CDLX-LG-30-80W-50K
WEC-3RC

(CDLX 80W 5000K fixture 120V-277V)

(CDLX 80W 5000K fixture 120V-277V)
(Remote Control)

SENSOR AND REMOTE CONTROL OPTIONS



MOUNTING OPTIONS

