

Project:	
Type:	
Catalog #:	

STANDARD



FEATURES

- Field selectable 3500k (warm/neutral white), 4000k (neutral white), and 5000k (cool white) color temperatures.*
- Long-life LEDs provide 187,000 hours of operation with at least 70% of initial lumen output (L_{70}), and 57,000 hours with at least 90% of initial lumen output (L_{90}).**
- LED chromaticity based on ≤ 5 -step ANSI quadrangles.
- LED color maintenance ≤ 0.002 chromaticity shift ($\Delta u'v'$) over the initial 6,000 hours of operation.
- Selectable lumen outputs range from 5,000, 6,000 to 7,000 nominal lumens and uses 40, 45, to 50 nominal watts.*
- Universal 120-277 AC voltage (50-60Hz) is standard.
- 0-10vdc dimming is standard.
- Power factor > 0.90 .
- Total harmonic distortion $< 20\%$.
- Color rendering index > 80 .
- Polycarbonate housing and lens.
- Stainless steel lens clips.
- Stainless steel mounting brackets and v-hooks included.
- Easy installation in new construction or retrofit applications.

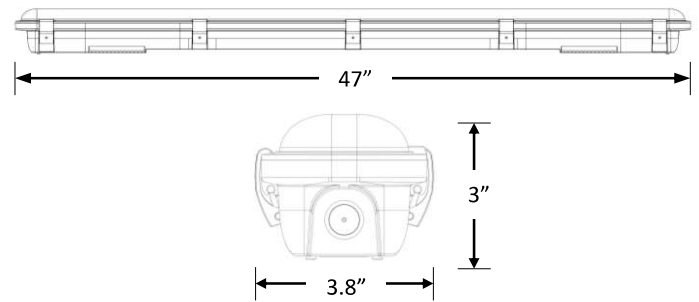
* Contact factory for other color temperatures and lumen packages.
** L70 hours are IES TM-21-11 calculated hours.



WARRANTY & LISTINGS

- cULus listed for wet locations.
- DLC approved.
- Complies with FCC Part 15, class A.
- Complies with IEEE C.62.41-1991, input transient protection (2.5kV).
- Flicker-free per IEEE1789-2015 (no observable adverse effects of flicker at 100% light output level).
- Not suitable for use in car wash applications.
- 5-year warranty of all electronics and housing.

DIMENSIONS



Weight: 4.6 lbs.

ORDERING INFORMATION

Example: VTS-7L-LKFS-ODS-EM13

Series	Nominal Lumen Output		Select	Occupancy Sensor ^{1,2}		Internally Installed Emergency Drivers ³	
	7L	7,000 nominal lumens		ODS	Microwave sensor	EM10	1441 lumens
VTS	7L	7,000 nominal lumens	LKFS	Blank	No occupancy sensor	EM13	1768 lumens
						Blank	No emergency driver

¹ Contact factory for other sensors.

² ODS = microwave technology – features include on/off, step-dimming, and daylight threshold. Default sensor settings: detection area = 100%, hold time = 5 seconds, stand-by period = 0 seconds, stand-by dimming level = 10%, daylight threshold = disabled.

³ See emergency driver compatibility list (page 2).

COMPATIBLE EMERGENCY DRIVERS*

Emergency Driver Part Number	EM10		EM13		Runtime
	Watts	EM Lumens	Watts	EM Lumens	
VTS-7L-LKFS	10.6	1441	13	1768	90 MINS.

* Suitable for ambient temperatures above 10°C (50°F).

COMPATIBLE EMERGENCY DRIVERS INTERNALLY INSTALLED ^{1,2}

Model	Emergency Options
VTS-7L-LKFS	EM10 EM13

¹ Suitable for ambient temperatures above 10°C (50°F).

² For list of remote mountable emergency drivers, see *ACCESSORIES*.

ACCESSORIES (Order Separately)

Remote Mount Emergency Drivers*

BLEM-CP-5C	=	Emergency driver - EM5
BLEM-CP-10C	=	Emergency driver - EM10
BLEM-CP-13C	=	Emergency driver - EM13

* Suitable for ambient temperatures above 10°C (50°F).

COMPATIBLE DIMMERS & CONTROLS

Manufacturer	Model Number	Dimming Range	Load Switching Capacity
Best Lighting	DWS-010V-T	10%-100%	600W
Best Lighting	DWS-010V-D	10%-100%	600W
Leviton	IP710-LFZ	10%-100%	1200W
Lutron	DVSTV	10%-100%	450W

ELECTRICAL DATA

Series	Measurements	Low Lumens			Mid Lumens			High Lumens		
		3500K	4000K	5000K	3500K	4000K	5000K	3500K	4000K	5000K
VTS-LKFS	Lumens	5157	5303	5181	6009	6198	6034	7295	7611	7381
	Watts	37	36	37	44	43	44	53	51	53
	Efficacy	138	146	139	135	144	136	138	149	140
	Input Current (A)	120V = 0.31A	120V = 0.30A	120V = 0.31A	120V = 0.37A	120V = 0.36A	120V = 0.37A	120V = 0.44A	120V = 0.43A	120V = 0.44A
240V = 0.15A		240V = 0.15A	240V = 0.15A	240V = 0.18A	240V = 0.18A	240V = 0.18A	240V = 0.22A	240V = 0.21A	240V = 0.22A	
277V = 0.13A		277V = 0.13A	277V = 0.13A	277V = 0.16A	277V = 0.16A	277V = 0.16A	277V = 0.19A	277V = 0.18A	277V = 0.19A	

PHOTOMETRIC DATA

VTS-7L-LKFS

Luminaire Data

Description	4' Vapor Tight Slim 7L 5K - LKFS
Total Lumens	7,382
Input Wattage	53
Efficacy (lm/W)	140
Spacing Criterion (0-180°)	1.26
Spacing Criterion (90-270°)	1.24

Zonal Lumen Summary

Zone	Lumens	%Fixt
0-20°	838	11.4%
0-30°	1,772	24.0%
0-40°	2,893	39.2%
20-50°	3,222	43.7%
40-70°	3,142	42.6%
0-60°	5,146	69.7%
0-80°	6,657	90.2%
0-90°	7,010	95.0%
90-180°	372	5.0%
0-180°	7,382	100.0%

