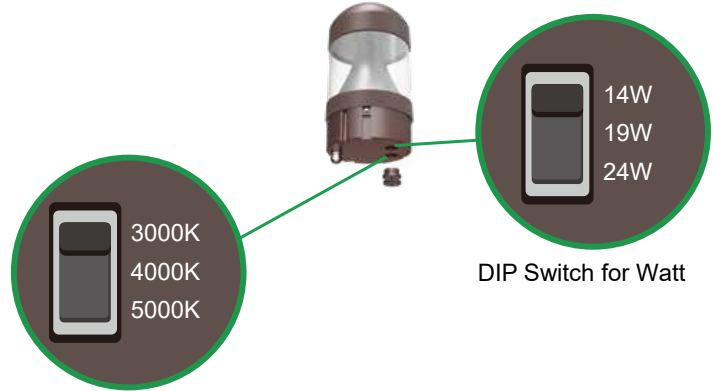




72333A - ROUND CONE, FLAT TOP

14/19/24W 3/4/5K 120-277V BLACK



DIP Switch for CCT

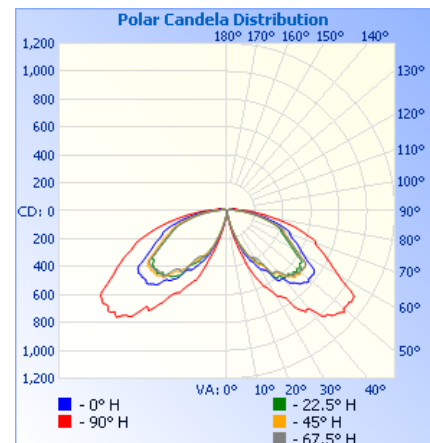
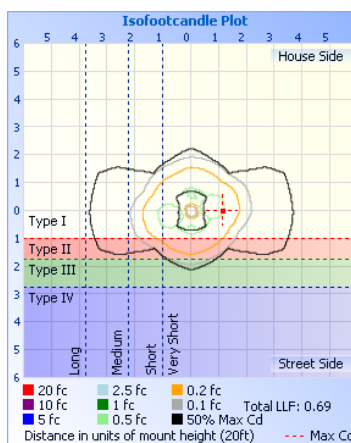
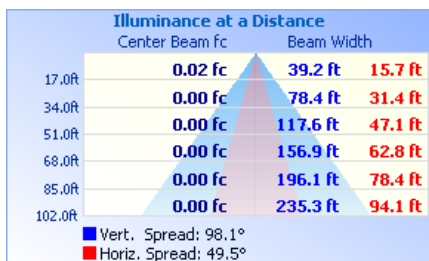
DIP Switch for Watt

FEATURES:

- Color Selectable: 3000K/4000K/5000K
- Wattage Selectable: 14W/19W/24W
- **Includes bollard top only**
- Corrosion Resistant Die Cast Aluminum Housing - Black Powder Coat Finish
- IP65 Rated for Wet Locations
- IK08 Impact Rated - Protected against 5 joules of impact
- 5 Year Warranty
- Used with Bollard Base: 72330A

CAT NO.	HOUSING COLOR	WATTAGE	CCT	MAX LUMENS	VOLTAGE	TYPE	CRI	DIMMING
72333A	BLACK	14/19/24W	3K/4K/5K	1,720	120-277V	ROUND CONE FLAT TOP	>70	0-10V

PHOTOMETRY:





72333A - ROUND CONE, FLAT TOP

14/19/24W 3/4/5K 120-277V BLACK

TECHNICAL SPECIFICATIONS

ELECTRICAL:

Input Voltage/Frequency: 120-277V, 50/60Hz

THD: 4.49%

Power Factor: >0.9

Current: 0.19A @ 120V

Surge Protection: 4kV

PRODUCT PARAMETERS:

Input Watts: 14W/19W/24W

Maximum Lumens: 1,720

Efficacy: 72 LM/W

50,000+ Hour LED Life Span

CCT: 3K/4K/5K

CHROMACITY:

Beam Angle: 100°

CRI: >70

R9: -33

Dimming: 0-10V

Operating Temperature: -40°F - 122°F

CONSTRUCTION:

Housing: Corrosion Resistant Die Cast

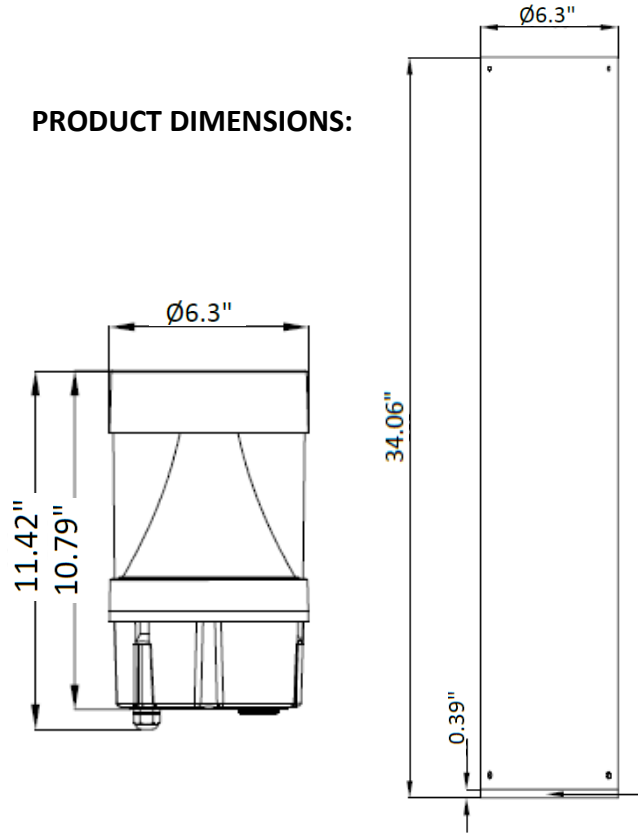
Aluminum, Black Powder Coat Finish

Lens: Polycarbonate

Mounting: See bolt pattern

WARRANTY: Morris Products carries a 5 year warranty from date of purchase against defects in materials and workmanship (assuming normal and proper usage).

PRODUCT DIMENSIONS:



LUMEN BREAKDOWN:

	3000K	4000K	5000K
14W	1000	1050	1010
19W	1330	1360	1340
24W	1650	1720	1710

BOLT PATTERN:

