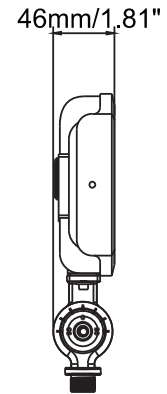
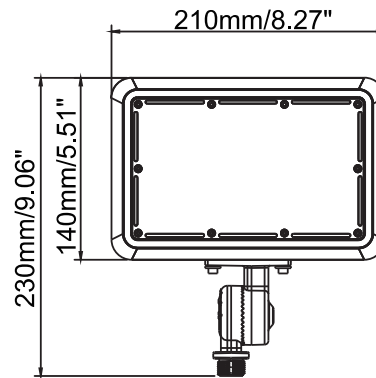




71533B - LED SMALL FLOOD

120-277V 40/50/60W 3K/4K/5K BRONZE



FEATURES:

- Wattage Selectable: 30W/40W/50W
- Color Selectable: 3000K, 4000K, 5000K
- Input Voltage: 120-277VAC
- Corrosion Resistant Die Cast Aluminum Housing
- Transparent PC Lens
- *Photocontrol included with on/off switch
- Operating Temperature: -40°F to 113°F
- Mount: 1/2" Knuckle installed w/ Yoke Mount included in box
- IP65 Wet Location Rated
- 50,000+ Hour LED Life Expectancy
- Listings: cULus, DLC PRODUCT ID#: S-OSTEJV
- 5 Year Warranty

*The ON/OFF photocell is pre-installed in the fixture and the default switch setting is ON. The photocell must be turned OFF for the fixture to operate when there is ambient or bright light.

Part#	Wattage	Voltage	Lumens	CCT	CRI	Dimming	Light Pattern	Lumens/Watt	DLC PRODUCT ID#:
71533B	40/50/60W	120-277V	8,950@4K	3K;4K;5K	>70	0-10V	7H7V	149	S-OSTEJV

		LUMEN OUTPUT		
		CCT		
		3000K	4000K	5000K
WATTS	40W	4539	4972	4839
	50W	6808	7458	7258
	60W	8170	8950	8710





71533B - LED SMALL FLOOD

120-277V 40/50/60W 3K/4K/5K BRONZE

Technical Specifications:

Electrical:

Input Voltage: 120-277

Current: 1.01A @ 120V

Frequency: 50/60Hz

Power Factor: ≥ 0.93

THD: $>20\%$ @ 120V

Product Parameters:

40/50/60 Watts

Lumens: 8,170@3K, 8,950@4K, 8,710@5K

Efficacy: 149 Lumens Per Watt

50,000+ L70 Life Span

CCT: 3K (WW); 4K (NW); 5K (CW)

Chromaticity Measurements:

Beam Angle: 7H7V

CRI: >70

R9: 9

DUV: -0.00012

Component Specifications:

LED: Seoul 2835

Driver: 120-277V 50/60Hz

Driver Output Volts: 150V/DC

Driver Output Amps: 1.0A

2KV Surge Protection

Dimming:

0-10V

Operating Temperature:

Minimum Starting -40°F - 113°F

Construction:

Housing: Die Cast Aluminum Housing

Powder Coated

IP Rating: IP65 Wet Location Rated

Lens Material: PC

Mounting: 1/2" Knuckle, Yoke

Listings:

cULus

DLC PRODUCT ID#: S-OSTEJV

Warranty:

Morris Products carries a 5 year warranty from date of purchase against defects in materials and workmanship (assuming normal and proper usage).